


# PRODUCT SHEET

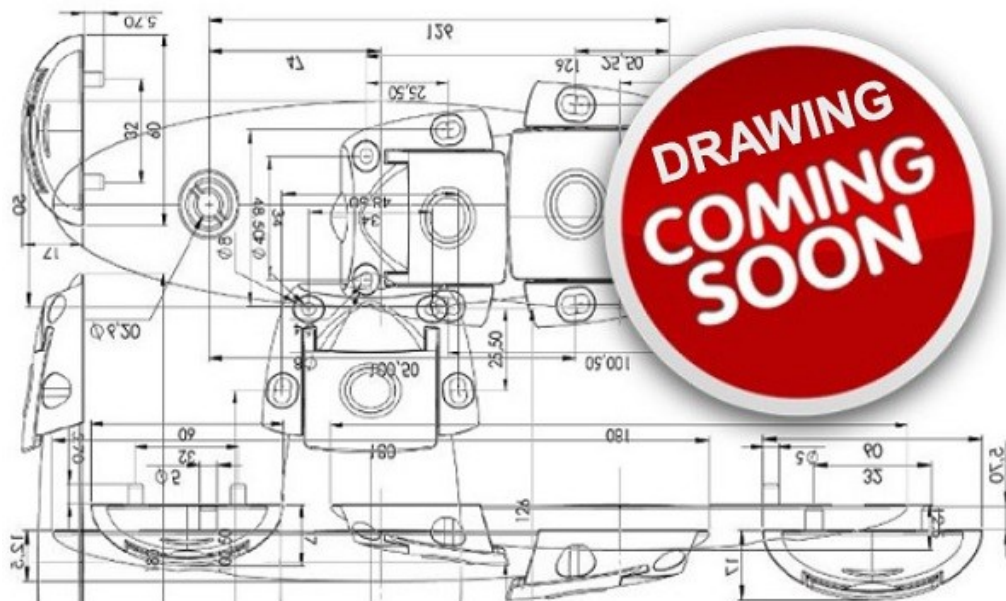
**Description:**

Chair Nail, Domed Head, Steel, #670, Old Brass

**Item number:**

29.02.181-0

Units	Box	Carton	HS Code	Barcode
Pcs.	0	1000	7318290090	
				5704866096010



SISO A/S  
Mileparken 11  
DK-2740 Skovlunde  
Denmark  
VAT: DK 24786013

Phone +45 45 830 900  
[www.siso.dk](http://www.siso.dk)  
[siso@siso.dk](mailto:siso@siso.dk)

Danske Bank  
Nytorv Branch  
Copenhagen  
SWIFT: DABADKKK

Account no.  
4180 3112 112936  
IBAN Account  
DK7230003112112936