

# SISO

# CABINET

fittings



*- high quality furniture fittings*



The technical descriptions and dimensions in this catalogue, also those with the photographs and drawings, are not binding. We reserve the right to make design improvements.

We bear no liability for any misprints or other errors that might occur in the production of the catalogue.

SISO A/S tager forbehold for trykfejl samt ændringer i produktets specifikationer.

Für Druckfehler und Irrtümer ist jede Haftung ausgeschlossen. Produktänderungen behalten wir uns vor.



SISO A/S  
MILEPARKEN 11  
DK - 2740 SKOVLUNDE  
(COPENHAGEN)  
DENMARK  
PHONE: (+45) 45 830 900  
FAX: (+45) 45 830 444

DISTRIBUTOR

# CONTENTS

- high quality furniture fittings



SHELF SUPPORTS F/WOOD SHELVES ..... 3-5



"SLOPE" SHELF BRACKET – F/SLOPING WALLS..... 6-7



SHELF SUPPORTS F/GLASS SHELVES ..... 8-14



ZAMAK GLASS CLAMPS ..... 15-16



DOOR CATCHES ..... 17-18



MAGNETIC TOUCH LATCHES ..... 19-21



DOOR DAMPERS ..... 22-23

STRIKING PLATES ..... 24



SLIDING BOLTS ..... 25



MIRROR FITTINGS ..... 26



FLAP STAY "STRING " ..... 27



PNEUMATIC EXPANSION & DROP DOWN SPRINGS .. 28-30



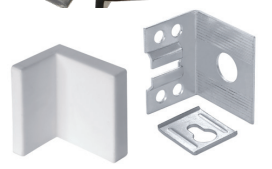
CABINET DOOR STOPPER "TURN TO FIT" .....31



DOOR STOP PROFILE .....32



CABINET SUSPENSION FITTINGS .....33-34



"CLIFF" WARDROBE CABINET HANGER .....35



WARDROBE SLIDE & CABINET HANGER .....36



WARDROBE TUBES & SUPPORTS .....37-38



SHOE CABINET FITTINGS .....39



DRAWER STOP – FOR CHILDREN SAFETY .....40



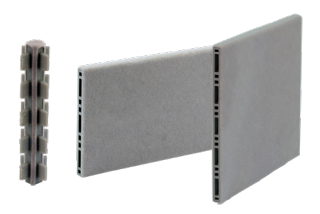
SLIDING DOOR FITTINGS .....41-43



TURNTABLES & SWIVEL PLATE .....44-45



DRAWER DIVIDERS .....46-47



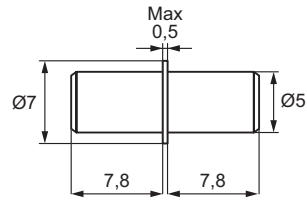
# SHELF SUPPORTS F/WOOD SHELVES

- high quality furniture fittings

## SHELF SUPPORT – "DUPLO"

**Material:** Steel  
**Size:** Ø5 x 16 mm

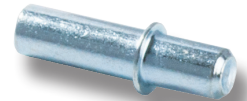
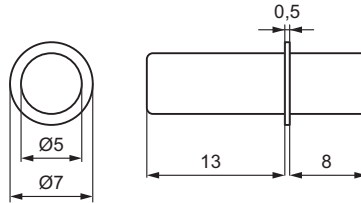
**Finish:** **Item No.:**  
NPL # 22.02.030  
BPL # 22.02.031  
BZP # 22.02.032  
Black And. # 22.02.035



## SHELF SUPPORT – "DUPLO – XL"

**Material:** Steel  
**Size:** Ø5 x 21,5 mm

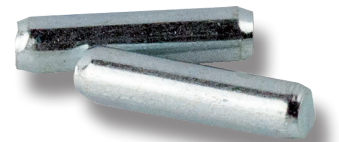
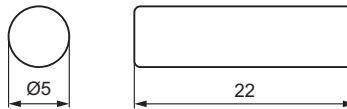
**Finish:** **Item No.:**  
BZP # 22.02.036



## SHELF SUPPORT "DUPLO – XL – NO STOP"

**Material:** Steel  
**Size:** Ø5 x 22 mm

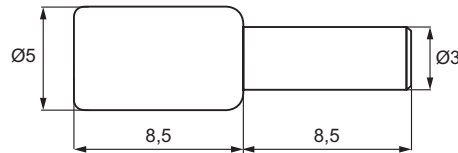
**Finish:** **Item No.:**  
BZP # 22.02.039



## SHELF SUPPORT – "GRENADE"

**Material:** Steel  
**Size:** Ø3/5 x 17 mm

**Finish:** **Item No.:**  
BZP # 22.02.028  
NPL # 22.02.029

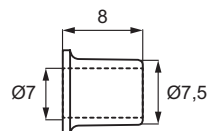
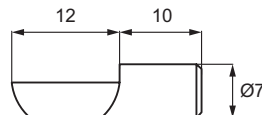


## SHELF SUPPORT – "SPADE"

**Material:** Steel

**Size:**  
Plug: Ø7 x 22 mm  
Bushing: Ø7 x 8 mm

**Finish:** **Item No.:**  
Plug - BPL # 22.02.015  
Plug - NPL # 22.02.016  
Bushing - BPL # 22.02.025  
Bushing - NPL # 22.02.026

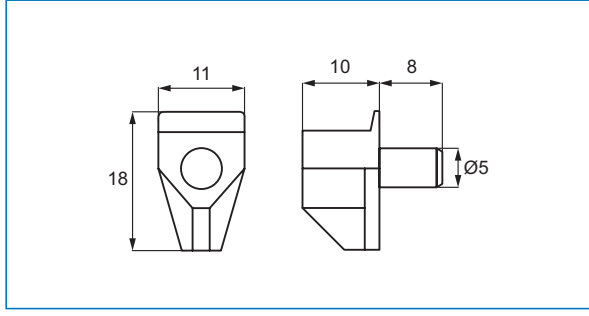


# SHELF SUPPORTS F/WOOD SHELVES

**SHELF SUPPORT – "METAL/PLAST"**

**Material:** HD plastic  
**Pin:** Ø5 x 8 mm  
**Plastic body:** 18 x 11 x 10 mm (H/W/D)

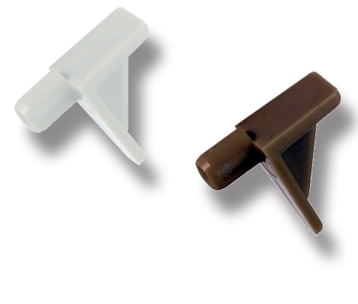
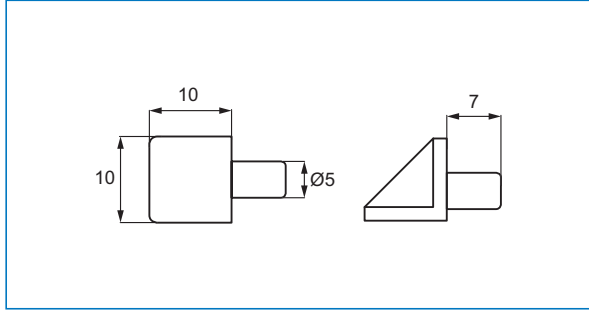
**Colour:** Brown # 22.02.040  
 Transparent # 22.02.043  
 White # 22.02.045



**SHELF SUPPORT – "PLAST"**

**Material:** PA plastic  
**Pin:** Ø5 x 7 mm  
**Plastic body:** 10 x 10 x 10 mm (H/W/D)

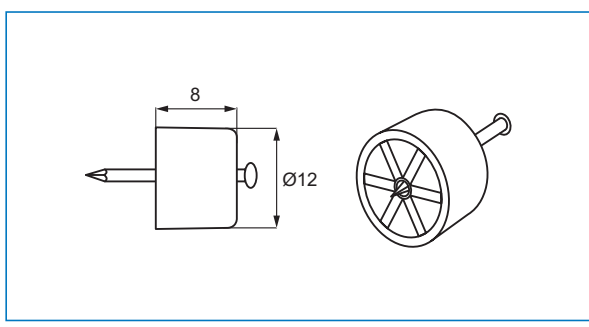
**Colour:** Brown # 22.02.051  
 White # 22.02.050



**SHELF SUPPORT – NAIL-ON, NO. 128**

**Material:** PA plastic  
**Nail:** 18 mm  
**Plastic body:** Ø12 x 8 mm

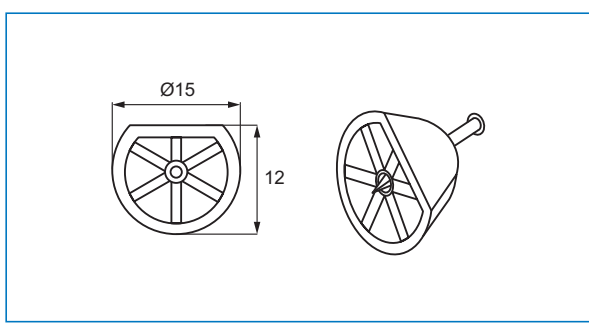
**Colour:** White # 22.02.055  
 Brown # 22.02.056  
 Black # 22.02.057



**SHELF SUPPORT – NAIL-ON, NO. 158**

**Material:** PA plastic  
**Nail:** 18 mm  
**Plastic body:** Ø15 x 12 x 8 mm

**Colour:** White # 22.02.065  
 Brown # 22.02.062  
 Black # 22.02.061



**SHELF SUPPORT – W/RETAINER**

**Material:** PA plastic  
**Pin:** Ø5 x 7 mm  
**Panel thickness:** 12, 16 & 18 mm

**Size/colour:** 12 mm - White # 22.02.119  
 12 mm - Brown # 22.02.118  
 16 mm - White # 22.02.120  
 16 mm - Brown # 22.02.121  
 18 mm - White # 22.02.128  
 18 mm - Brown # 22.02.127

A	C	D	Item No.
12,8 mm	4 mm	9,8 mm	# 22.02.118/22.02.119
16,8 mm	4 mm	9,8 mm	# 22.02.120/22.02.121
18,8 mm	9,5 mm	9,8 mm	# 22.02.127/22.02.128



# SHELF SUPPORTS F/WOOD SHELVES

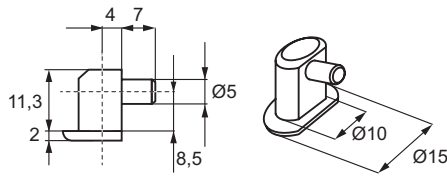
- high quality furniture fittings



## SHELF SUPPORT - LAY-IN 16 MM PANELS

**Material:** PA plastic  
**Pin:** Ø5 x 7 mm

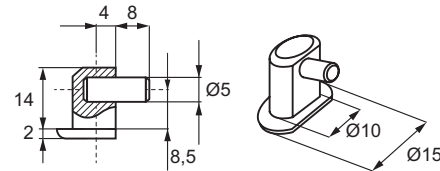
**Colour:** Brown  
**Item No.:** # 22.02.150



## SHELF SUPPORT - LAY-IN 18 MM PANELS

**Material:** PA plastic & steel  
**Steel pin:** Ø5 x 7 mm

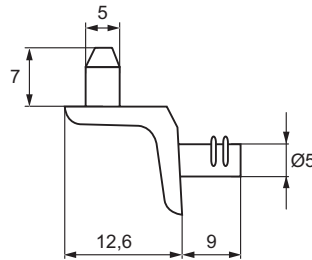
**Colour:** Brown  
**Item No.:** # 22.02.155



## SHELF SUPPORT - 2-PINS

**Material:** Zamak  
**Pin:** Ø5 x 7,5 mm

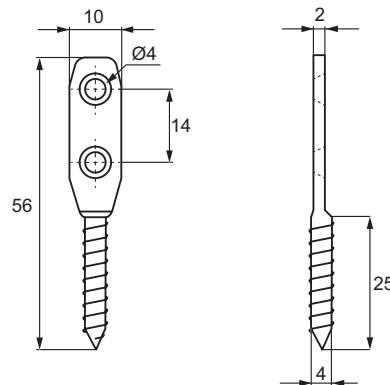
**Finish:** NPL  
**Item No.:** # 22.02.100



## SHELF SUPPORT - "PADDLE"

**Material:** Steel  
**Size:** 56 x 10 x 2 mm  
**Thread:** Ø4 x 25 mm

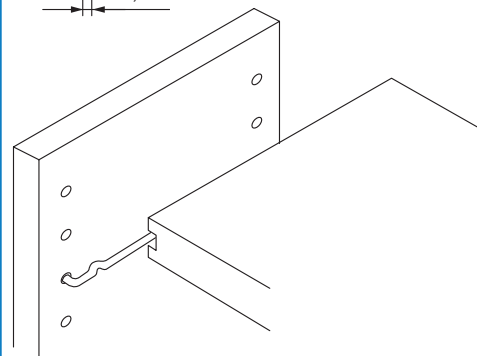
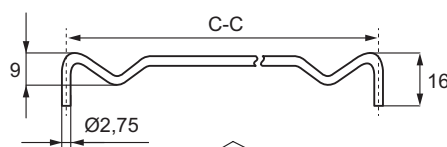
**Finish:** BZP  
**Item No.:** # 22.02.096



## WIRE SHELF SUPPORT

**Material:** Steel - galvanized  
**Bore:** Ø2,75 mm

**Size:**  
c/c: 192 mm # 22.02.330  
c/c: 240 mm # 22.02.340  
c/c: 256 mm # 22.02.390  
c/c: 400 mm # 22.02.450



# "SLOPE" SHELF BRACKET – F/SLOPING WALLS

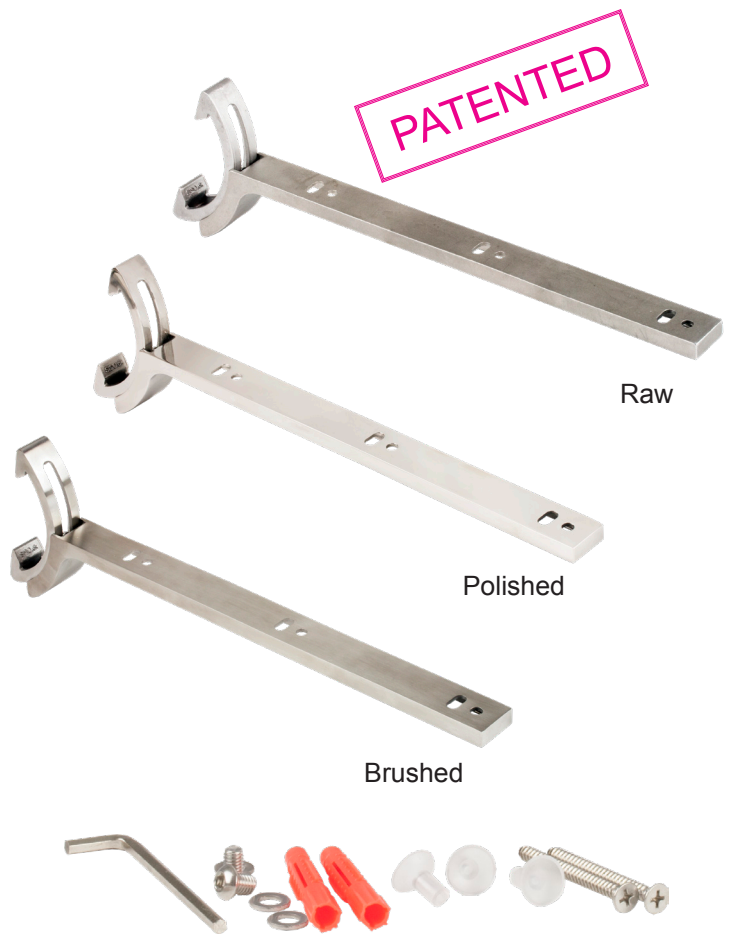
"Slope" is an ideal shelf bracket solution for roof top apartments, bathrooms, living rooms, offices or shops where you have sloping walls. The "Slope" can be used for both wood & glass shelves.

**Specifications:**

Adjustable from: 90° - 156°  
 Max depth of shelf: 45 cm.  
 Max load: 30 kg. when using 2 brackets.  
 Size: 335 x 113 x 23,5 mm. (L/H/W)  
 Material: Stainless Steel 304

Finish:	Item No.:
Brushed	# 22.02.800
Polished	# 22.02.801
Raw	# 22.02.802

- Incl.:**
- 2 Socket Screws M6x8mm DIN 7984
  - 2 x CSK Chipboard Screws 5 x 50mm
  - 2 Plastic Wall Plugs Ø8 x 50mm
  - 1 x 4mm L-shaped Hex Key
  - 2 Flat Washers
  - 3 x Suction Pads F/Glass Shelves
  - 1 x Installation manual

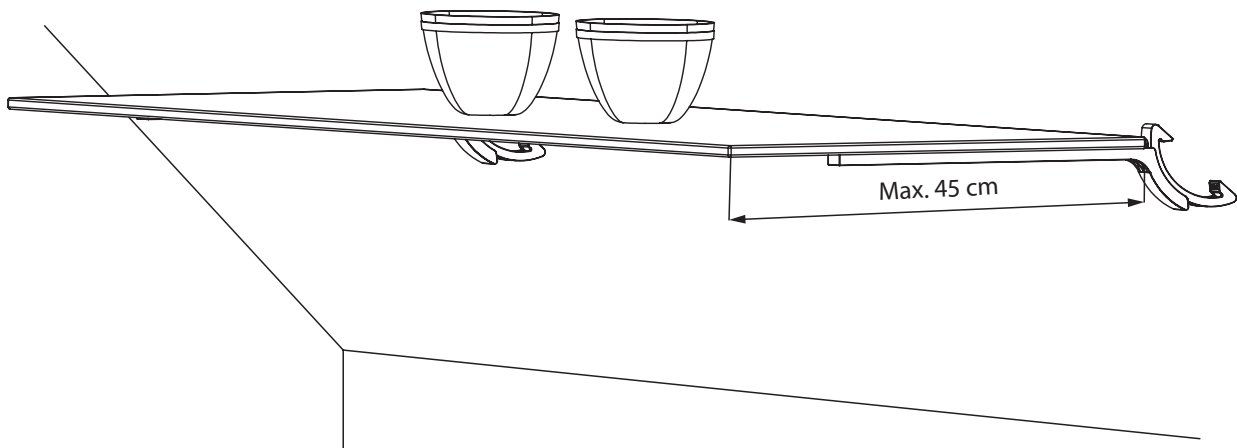
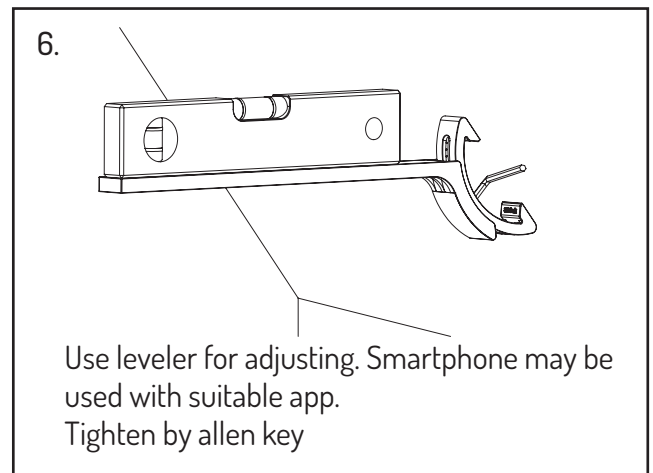
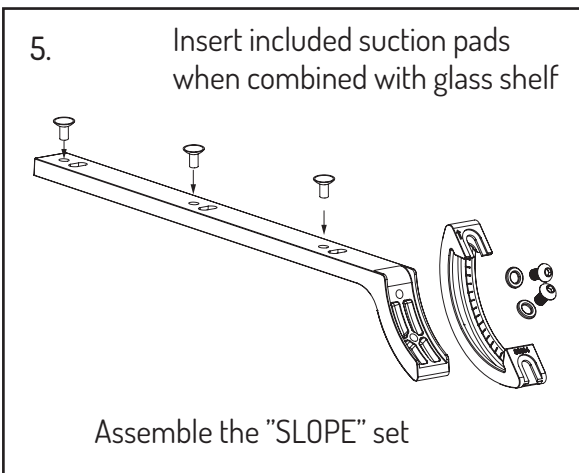
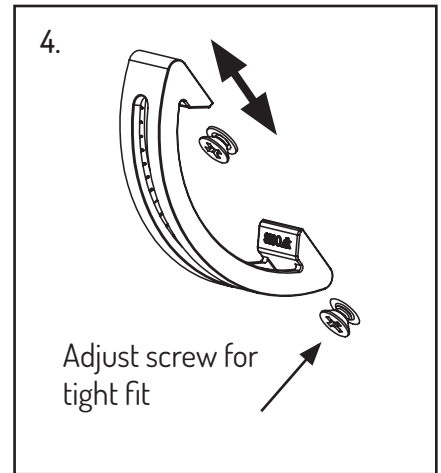
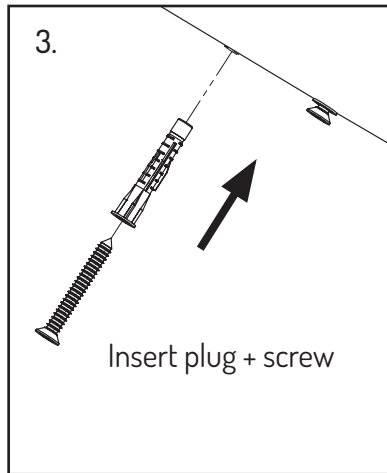
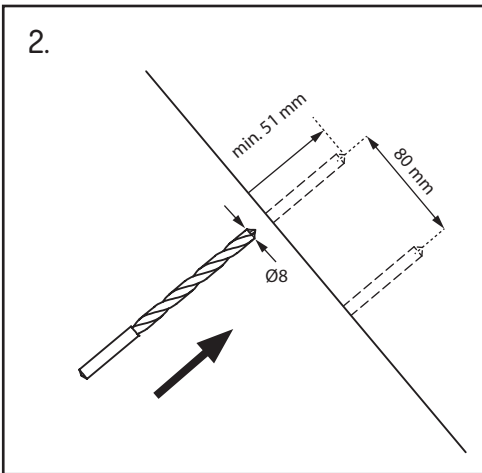
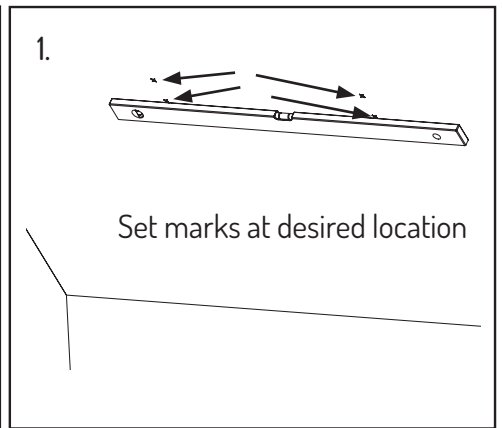
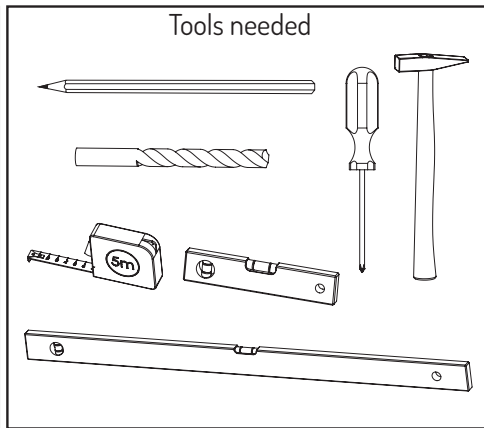
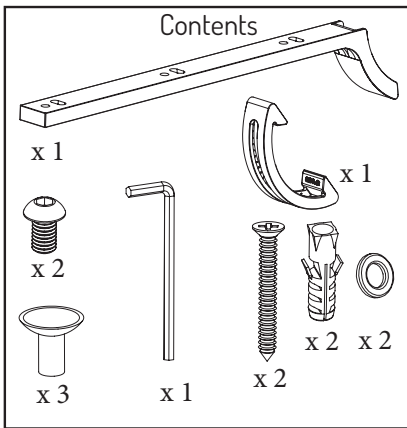




# "SLOPE" SHELF BRACKET – "HOW TO DO!"

- high quality furniture fittings

**SISO**  
DENMARK

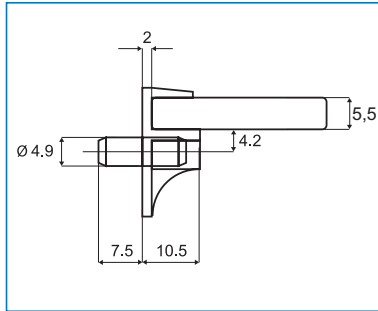


**GLASS SHELF SUPPORT**  
- with retainer

**Material:** Steel pin Ø5 mm, bright zinc plated and transparent plastic support with retainer

Suitable for GLASS THICKNESS 5,5 mm

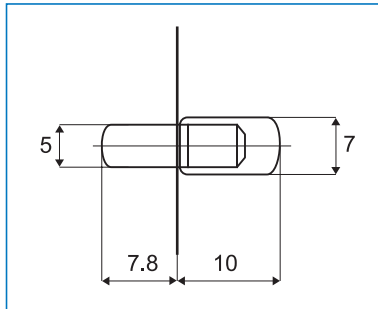
**Item No.:** # 22.02.080



**GLASS SHELF SUPPORT „CRISTAL“**

**Material:** Steel pin Ø5 mm, mantled with transparent plastic to 7 mm diam.

**Finish:** Bright zinc plated # 22.02.037  
Brass plated # 22.02.038

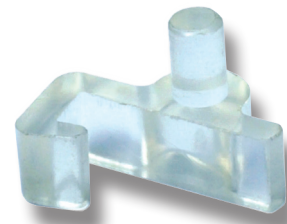
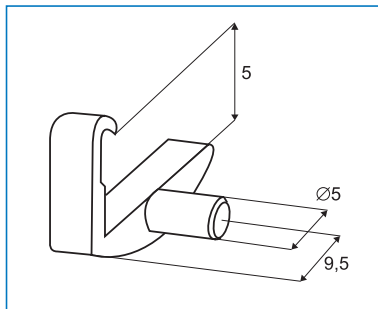


**GLASS SHELF SUPPORT**

with slide lock No. 1630  
- moulded in sets (left + right)

**Material:** Transparent plastic  
**Pin:** Ø5 mm  
**Bore hole:** 9,5 mm from edge  
**Glass:** 5 mm

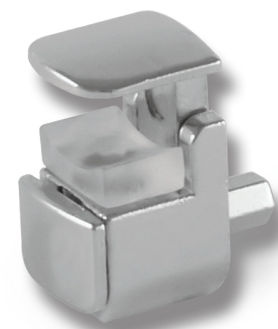
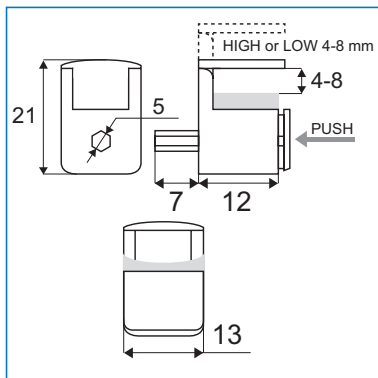
**Item No.:** # 22.02.082



**GLASS SHELF SUPPORT „PARROT“**  
w/clip fixing to secure the glass

**Material:** Zamak, Nickel plated  
**Pin:** Ø5 mm  
**Glass thickness:** 4 - 8 mm

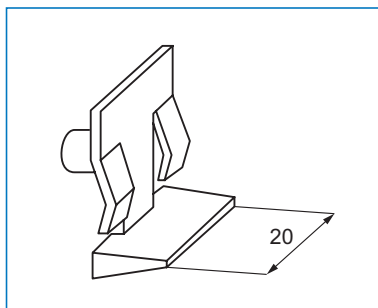
**Item No.:** # 22.02.456



**SHELF SUPPORT - w/ flexible Retainer for GLASS SHELVES (min. 5 mm)**

**Material:** Plastic  
**PIN:** 5 mm  
For glass minimum 5 mm

**Colour:** White # 22.02.066  
Black # 22.02.067



# SHELF SUPPORTS FOR GLASS

- high quality furniture fittings

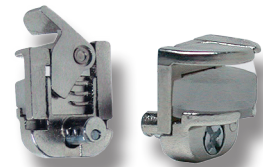
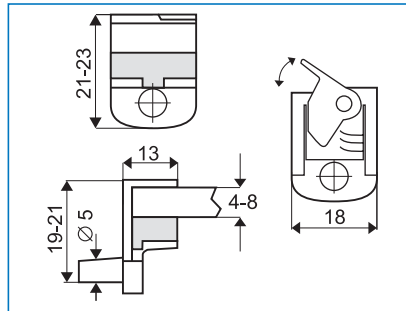


## SHELF SUPPORT „ALFA“ - w/ catch for glass 4-8 mm

With eccentric pin  $\varnothing 5$  mm

Material: Zamak, Nickel plated

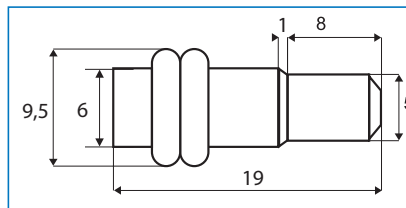
Item No.: # 22.02.245



## SHELF SUPPORT w/2 rubber O-rings

Material: Steel, NPL

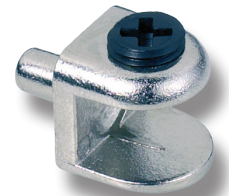
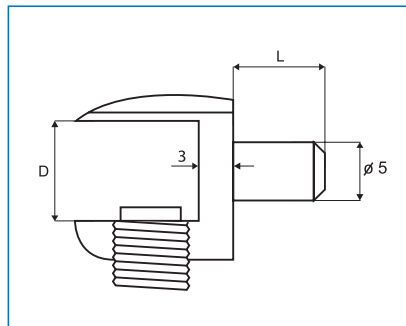
Item No.: # 22.02.200



## SHELF SUPPORT w/soft plastic screw

Material: Zamak, nickel plated

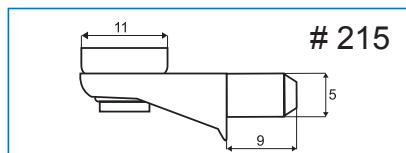
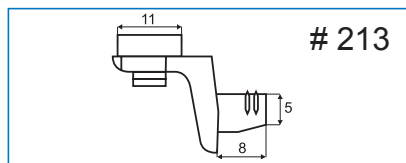
Sizes: D  $\varnothing$  L Item No.:  
8 mm 5 mm 8 mm # 22.02.231  
5 mm 5 mm 8 mm # 22.02.230



## SHELF SUPPORT W/SUCTION PAD

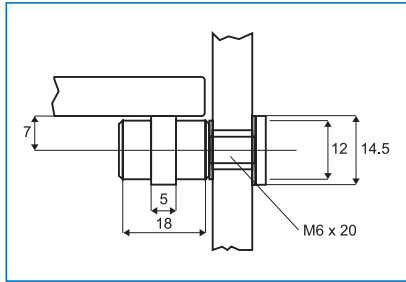
Material: Zamak, nickel plated

Model: Item No.:  
No. 213 # 22.02.240  
No. 215 # 22.02.241



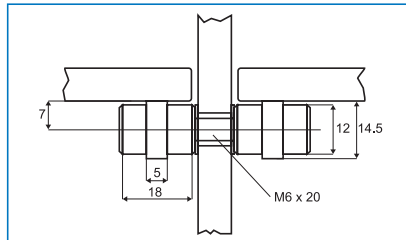
**SHELF SUPPORT - "Single" - Brass - w/1 black rubber ring**

**Material:** Brass, nickel plated  
**Size:** Ø12 x 18 mm  
**Bore:** Ø8 mm  
**Glass thickness:** 6 - 8 mm  
**Item No.:** # 22.02.115



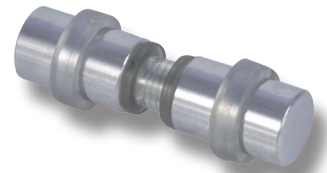
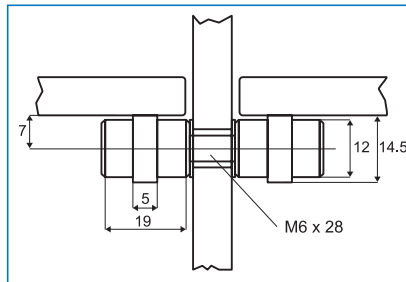
**SHELF SUPPORT - "Double" - Brass - w/2 black rubber rings**

**Material:** Brass, nickel plated  
**Size:** 2 pcs each  
 Ø12 x 18 mm  
**Bore:** Ø8 mm  
**Glass thickness:** 6 - 8 mm  
**Item No.:** # 22.02.116



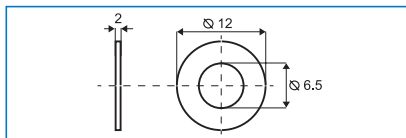
**SHELF SUPPORT - "Double" - Steel - w/2 transparent rings**

**Material:** Steel, chrome plated  
**Size:** 2 pcs each  
 Ø12 x 19 mm  
**Bore:** Ø8 mm  
**Glass thickness:** 4 - 8 mm  
**Item No.:** # 22.02.111



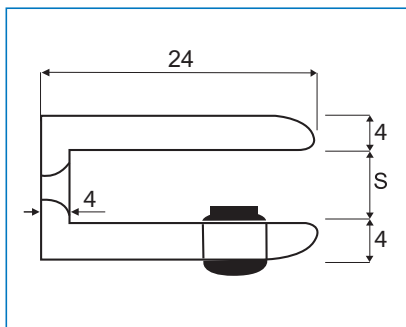
**EXTRA RUBBER washer for shelf support # 22.02.115 & 116**

Transparent  
**Item No.:** # 22.02.114



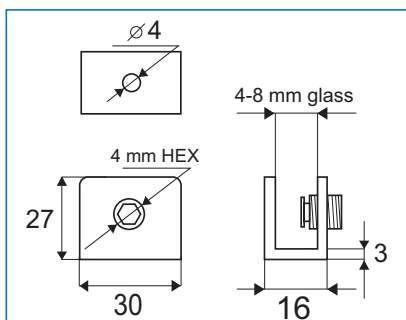
**SHELF SUPPORT - Cylindrical Mounting with wood screw Ø4,5 mm**

**Material:** Zamak  
**Finish:** Ø      **Size**      **Item No.:**  
 CPL Ø17 mm 4 - 6 mm # 22.02.220  
 ALU Ø17 mm 4 - 6 mm # 22.02.221  
 CPL Ø20 mm 8 - 10 mm # 22.02.210  
 ALU Ø20 mm 8 - 10 mm # 22.02.213



**GLASS SHELF SUPPORT „SQUARE“ w/Ø4 mm screw hole, CSK**

**Material:** Zamak  
**Size: (W/H/D)** 30 x 27 x 16 mm  
**Glass thickness:** 4 - 8 mm  
**Finish:**      **Item No.:**  
 Chrome plated # 22.02.560  
 Alu finish # 22.02.561  
 SS-look # 22.02.563

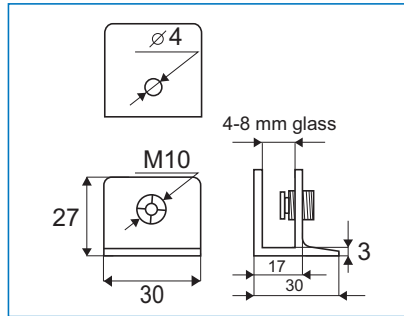


# SHELF SUPPORTS FOR GLASS

- high quality furniture fittings

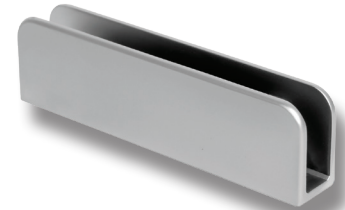
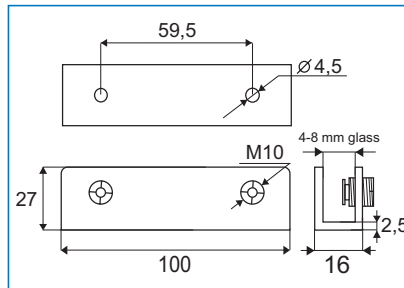
## GLASS SHELF SUPPORT „SQUARE“ "X-STRONG"

**Material:** Zamak  
**Size: (W/H/D)** 30 x 30 x 27 mm  
**Glass thickness:** 4 - 8 mm  
**Mounting:** Ø4 mm CSK hole  
**Finish:** **Item No.:**  
 Chrome plated # 22.02.610  
 Alu finish # 22.02.611



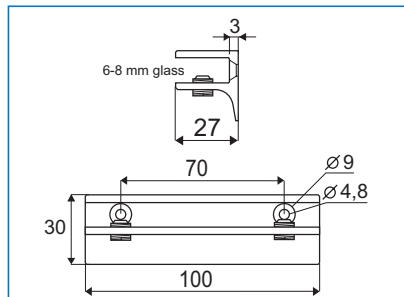
## GLASS SHELF SUPPORT „SQUARE XL“

**Material:** Zamak  
**Size: (W/H/D)** 100 x 16 x 27 mm  
**Glass thickness:** 4 - 8 mm  
**Mounting:** Ø4 mm CSK hole  
**Finish:** **Item No.:**  
 Chrome plated # 22.02.565  
 Alu finish # 22.02.566



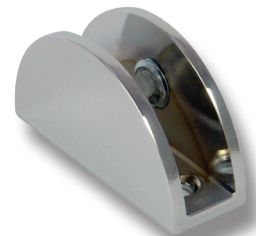
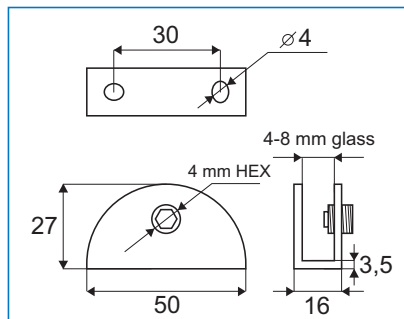
## GLASS SHELF SUPPORT "SHELFIE"

**Material:** Zamak  
**Size: (W/H/D)** 100 x 30 x 27 mm  
**Glass thickness:** 6 - 8 mm  
**Mounting:** Ø 5 mm CSK Holes  
**Item No.:** # 22.02.625



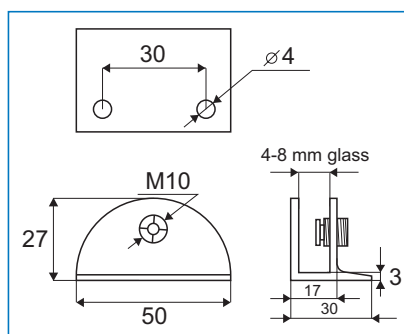
## GLASS SHELF SUPPORT „HALF MOON“ w/Ø4 mm screw hole, CSK

**Material:** Zamak  
**Size: (W/H/D)** 50 x 16 x 27 mm  
**Glass thickness:** 4 - 8 mm  
**Finish:** **Item No.:**  
 Chrome plated # 22.02.570  
 Alu finish # 22.02.571  
 SS-look # 22.02.573



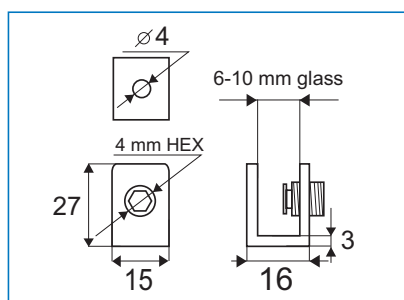
## GLASS SHELF SUPPORT „HALF-MOON“ "X-STRONG"

**Material:** Zamak  
**Size: (W/H/D)** 50 x 30 x 27 mm  
**Glass thickness:** 4 - 8 mm  
**Mounting:** Ø4 mm CSK hole  
**Finish:** **Item No.:**  
 Chrome plated # 22.02.620  
 Alu finish # 22.02.621



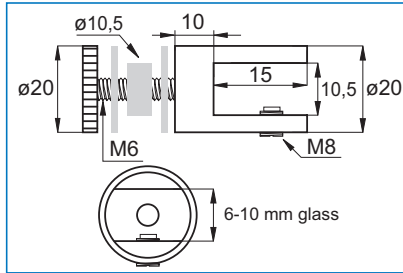
## GLASS SHELF SUPPORT „MUS“ w/Ø4 mm screw hole, CSK

**Material:** Zamak  
**Size: (W/H/D)** 15 x 16 x 27 mm  
**Glass thickness:** 6 - 10 mm  
**Finish:** **Item No.:**  
 Chrome plated # 22.02.600  
 Alu finish # 22.02.601  
 SS-look # 22.02.603



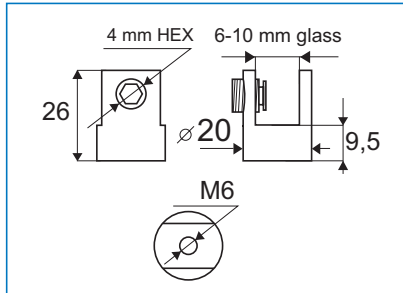
**GLASS SHELF SUPPORT  
„CYLINDRICAL“  
F/GLASS WALL FIXING**

**Material:** Brass  
**Size:** Ø20 x 26 mm  
**Glass thickness:** 6 - 10 mm  
**Item No.:**  
 Chrome plated # 22.02.235



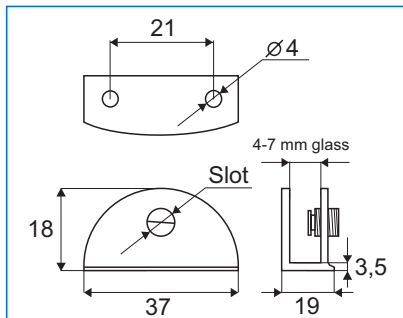
**GLASS SHELF SUPPORT  
„CYLINDRICAL“ W/M6 mm screw hole**

**Material:** Zamak  
**Size:** Ø20 x 26 mm  
**Glass thickness:** 6 - 10 mm  
**Finish:** Item No.:  
 Chrome plated # 22.02.226  
 Alu finish # 22.02.227  
 SS-look # 22.02.228



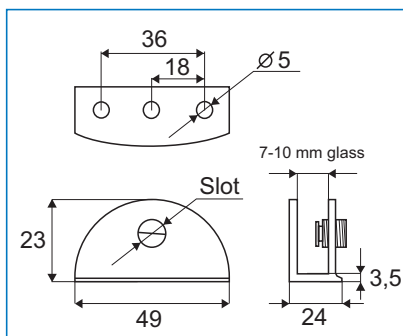
**GLASS SHELF SUPPORT „DOME“ SMALL  
w/Ø4 mm screw hole, CSK**

**Material:** Zamak, Chrome plated  
**Size: (W/H/D)** 37 x 19 x 18 mm  
**Glass thickness:** 4 - 7 mm  
**Item No.** # 22.02.575  
 Inclusive screws and wall plugs



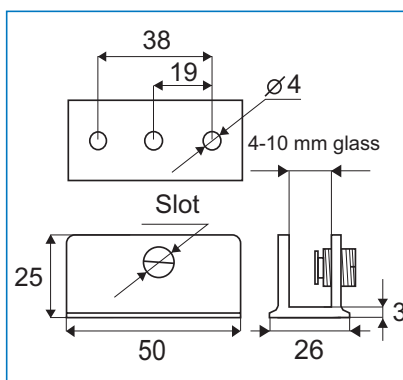
**GLASS SHELF SUPPORT „DOME“ LARGE  
w/Ø5 mm screw holes, CSK**

**Material:** Zamak  
**Size: (W/H/D)** 49 x 24 x 23 mm  
**Glass thickness:** 7 - 10 mm  
**Finish:** Item No.:  
 Chrome plated # 22.02.580  
 Inclusive screws and wall plugs



**GLASS SHELF SUPPORT „RECTA“ LARGE  
w/Ø5 mm screw holes, CSK**

**Material:** Zamak, Chrome plated  
**Size: (W/H/D)** 50 x 26 x 25 mm  
**Glass thickness:** 4 - 10 mm  
**Item No.** # 22.02.595  
 Inclusive screws and wall plugs



# ADJUSTABLE SHELF SUPPORT „PELICANS“

- high quality furniture fittings

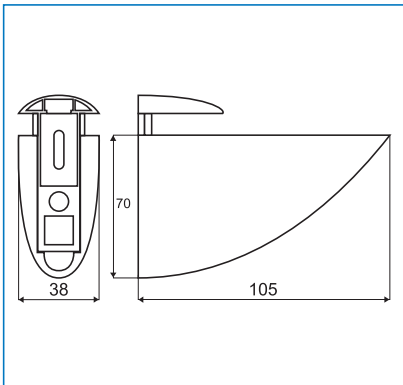


## MODEL NO. 53

For glass & wood shelves

**Material:** Zamak  
**Shelf thickness:** 4 - 40 mm  
**Max load:** 40 kg

**Finish:**                   **Item No.:**  
 Alu finish                   # 22.02.550  
 Polished chrome         # 22.02.552  
 SS-look                     # 22.02.553

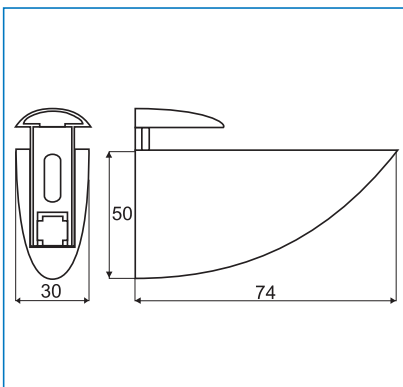


## MODEL NO. 52

For glass & wood shelves

**Material:** Zamak  
**Shelf thickness:** 4 - 26 mm  
**Max load:** 30 kg

**Finish:**                   **Item No.:**  
 Alu finish                   # 22.02.545  
 Mat nickel                 # 22.02.546  
 SS-look                     # 22.02.548

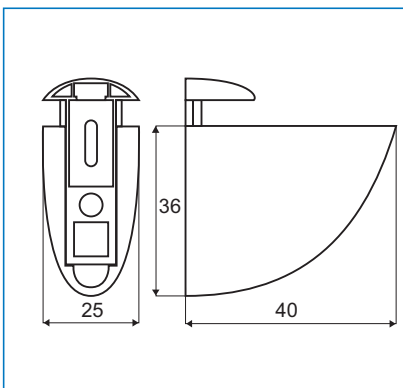


## MODEL NO. 45

For glass & wood shelves

**Material:** Zamak  
**Shelf thickness:** 4 - 10 mm  
**Max load:** 20 kg

**Finish:**                   **Item No.:**  
 Polished chrome         # 22.02.495  
 SS-look                     # 22.02.496

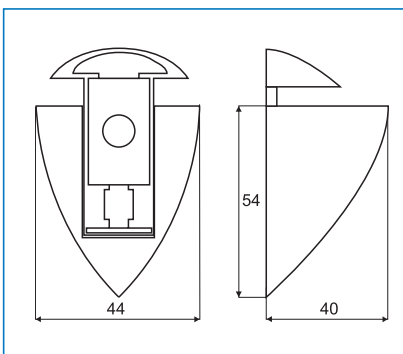


## MODEL NO. 47

For glass & wood shelves

**Material:** Zamak  
**Shelf thickness:** 4 - 22 mm  
**Max load:** 20 kg

**Finish:**                   **Item No.:**  
 Mat chrome coated       # 22.02.510  
 SS-look                     # 22.02.513



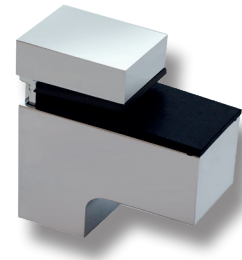
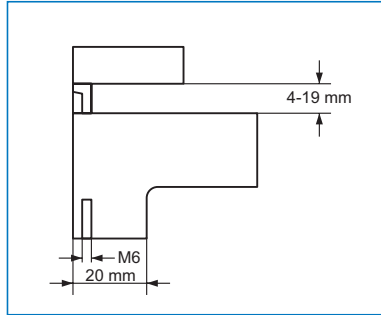
# ADJUSTABLE SHELF SUPPORT „PELICANS“

**MODEL NO. 49**

For glass & wood shelves

**Material:** Zamak  
**Shelf thickness:** 4 - 19 mm  
**Max load:** 20 kg

**Finish:** **Item No.:**  
 Chrome plated # 22.02.525  
 Alu finish # 22.02.526  
 SS-Look # 22.02.527  
 Black Mat # 22.02.528

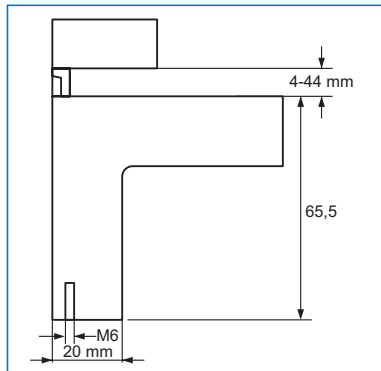


**MODEL NO. 54**

For glass & wood shelves

**Material:** Zamak  
**Shelf thickness:** 4 - 44 mm  
**Max load:** 20 kg

**Finish:** **Item No.:**  
 Chrome plated # 22.02.555  
 Alu finish # 22.02.556  
 SS-Look # 22.02.557  
 Black Mat # 22.02.558

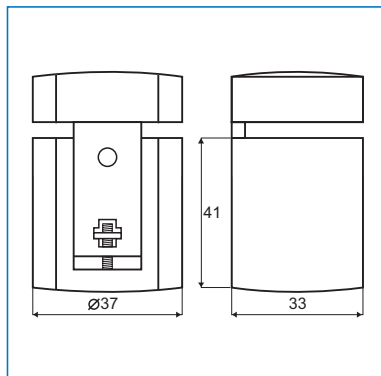


**MODEL NO. 43**

For glass & wood shelves

**Material:** Zamak  
**Shelf thickness:** 4 - 24 mm  
**Max load:** 20 kg

**Finish:** **Item No.:**  
 Alu finish # 22.02.471  
 Matt nickel # 22.02.474

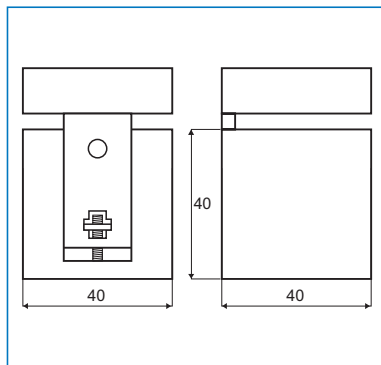


**MODEL NO. 44**

For glass & wood shelves

**Material:** Zamak  
**Shelf thickness:** 4 - 24 mm  
**Max load:** 20 kg

**Finish:** **Item No.:**  
 Matt nickel # 22.02.479





# ZAMAK GLASS CLAMP NO. 31 F/WALL MOUNTING

- high quality furniture fittings



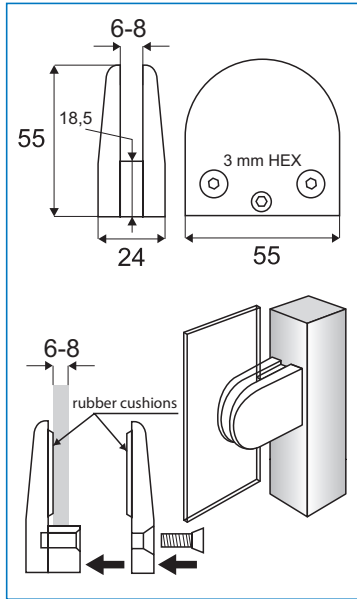
## MODEL "LARGE"

**Application:**  
Balconies, balustrade, shelves etc.

**Material:** Zamak

**With round rubber cushions**  
For glass thickness 6 - 8 mm

**Finish:** Chrome plated # 22.10.150  
Gold plated # 22.10.151  
Matt nickel plated # 22.10.152



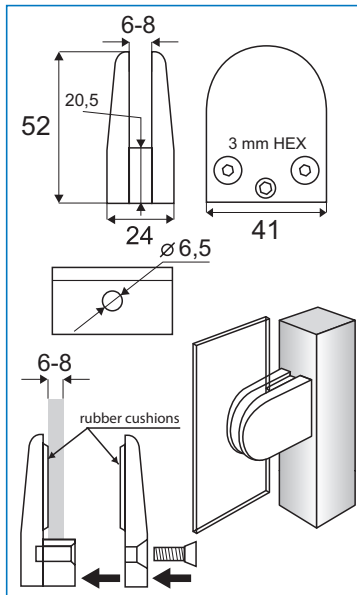
## MODEL "MEDIUM"

**Application:**  
Balconies, balustrade, shelves etc.

**Material:** Zamak

**With flat rubber cushions**  
For glass thickness 6 - 8 mm

**Finish:** Chrome plated # 22.10.160  
Matt nickel plated # 22.10.161



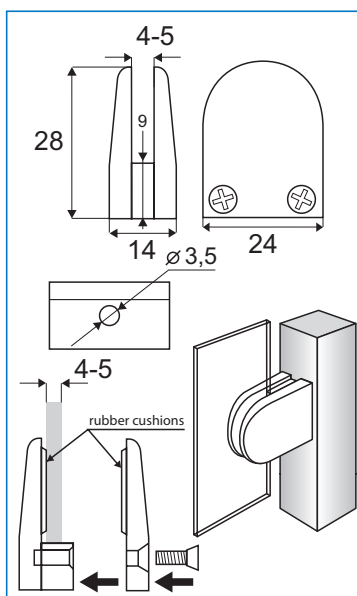
## MODEL "SMALL"

**Application:**  
Balconies, balustrade, shelves etc.

**Material:** Zamak

**With flat rubber cushions**  
For glass thickness 4 - 5 mm

**Finish:** Chrome plated # 22.10.165  
Matt nickel plated # 22.10.166



# ZAMAK GLASS CLAMP NO. 31 F/TUBE MOUNTING

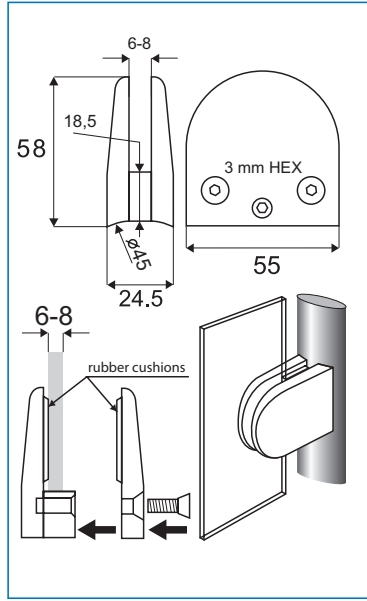
## MODEL "L" F/Ø45 mm TUBE

**Application:**  
Balconies, balustrade, staircases etc.

**Material:** Zamak

With round rubber cushions  
For glass thickness 6 - 8 mm

**Finish:** **Item No.:**  
Chrome plated # 22.10.170  
Matt nickel plated # 22.10.171



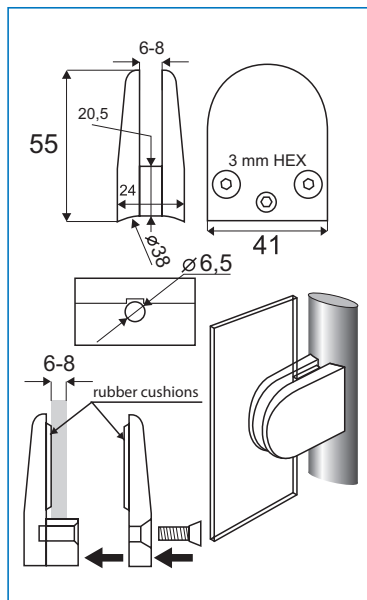
## MODEL "M" F/Ø38 mm TUBE

**Application:**  
Balconies, balustrade, staircases etc.

**Material:** Zamak

With flat rubber cushions  
For glass thickness 6 - 8 mm

**Finish:** **Item No.:**  
Chrome plated # 22.10.175  
Matt nickel plated # 22.10.176



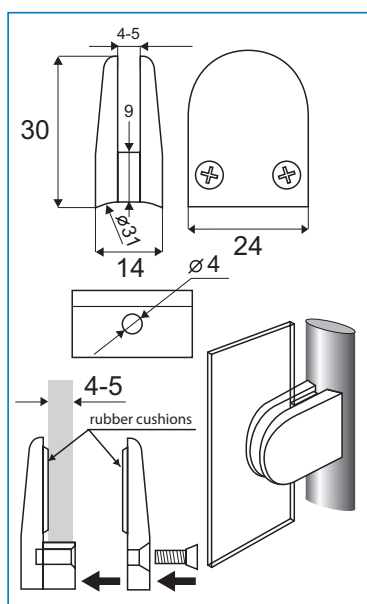
## MODEL "S" F/Ø31 mm TUBE

**Application:**  
Balconies, balustrade, staircases etc.

**Material:** Zamak

With flat rubber cushions  
For glass thickness 4 - 5 mm

**Finish:** **Item No.:**  
Chrome plated # 22.10.180  
Matt nickel plated # 22.10.181



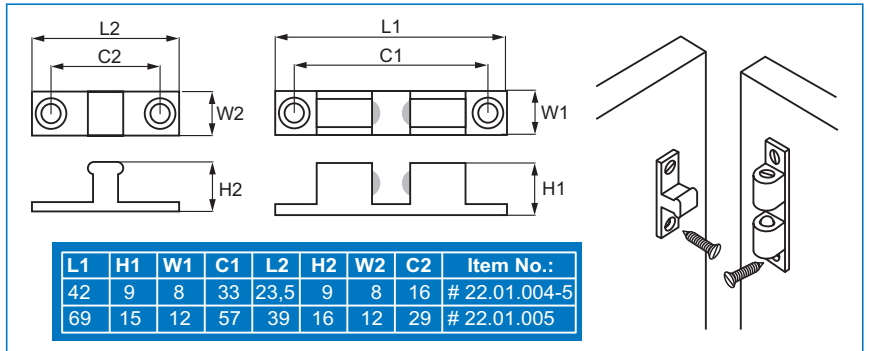
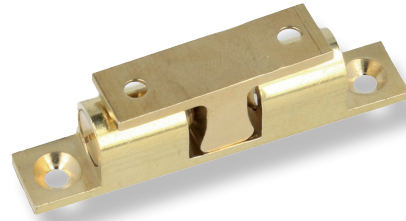
## DOUBLE BALL CATCH

**Material:** Brass – natural  
**Size:** 43 x 8 mm  
 or 69 x 12 mm

**One set consist of:**  
 1 body & 1 striker

**Size.:** 44 x 8 mm  
 69 x 12 mm  
**Item No.:** # 22.01.004-5  
 # 22.01.005

(Excl. screws)



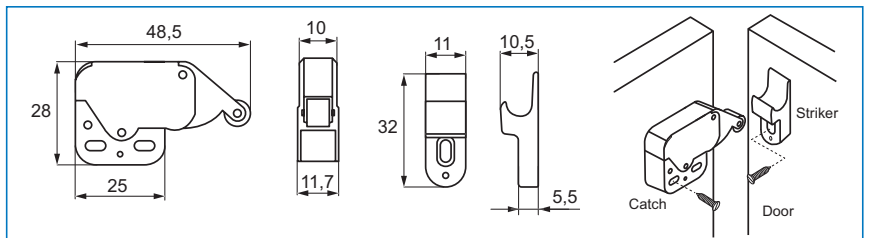
## MINI LATCH – “PUSH TO OPEN”

**Material:**  
 Body: Steel  
 Striker: Plastic

**Size:**  
 Body: 48,5 x 28 x 25 mm  
 Striker: 32 x 11 mm

**Finish:** Brown/Brass Pl.  
 White/Nickel Pl.  
**Item No.:** # 22.01.010  
 # 22.01.015

(Incl. screws)



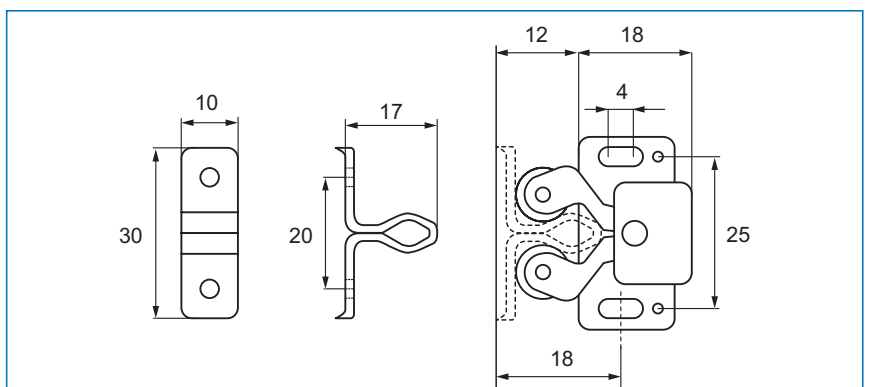
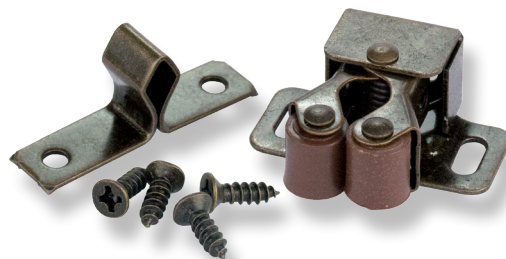
## DOUBLE ROLLER CATCH

**Material:**  
 Body & striker: Steel  
 Wheels: Plastic

**Size:**  
 Body: 32 x 28 mm  
 Striker: 32 x 10 mm

**Finish:** Bronze Plated  
 Bright Zinc Pl.  
**Item No.:** # 22.01.500  
 # 22.01.510

(Incl. screws)



## MAGNETIC CATCH – 4 & 6 KG

**Material:**

Body: Plastic  
Striker: Steel - NPL

**Size:**

Body: 40,5 x 19 x 13 mm (W/D/H)

Screw holes: CC: 32 mm

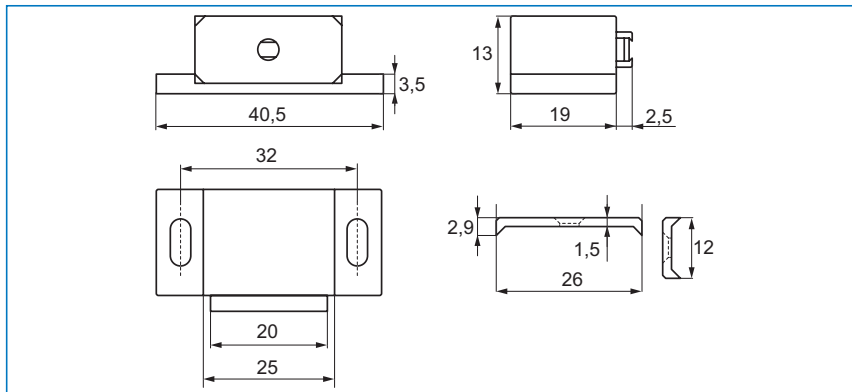
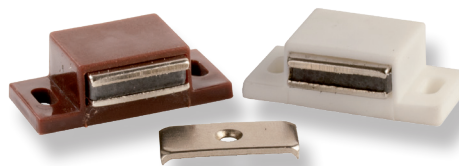
Striker: 26 x 12 x 3 mm

**Finish:**

White – 4 kg  
Brown – 4 kg  
Black – 4 kg  
White – 6 kg

**Item No.:**

# 22.01.028  
# 22.01.031  
# 22.01.032  
# 22.01.037



## KNOCK-IN MAGNET X-S1

**Material:**

Body: Plastic - brown  
Striker: Steel - bronze Pl.

**Size:**

Body: Ø12 x 13,5 mm  
bore: Ø12 mm

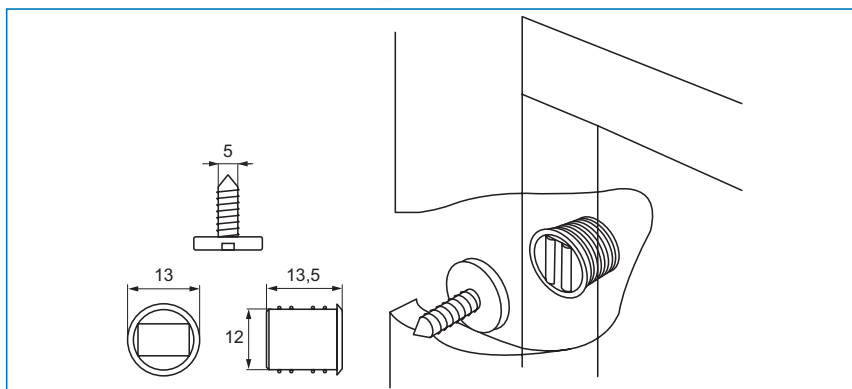
Screw-on striker: Head: Ø12 x 2 mm.  
Nail: Ø5 x 10 mm

**Finish:**

Brown – 2 kg

**Item No.:**

# 22.01.057



## KNOCK-IN MAGNET X-S2

**Material:**

Body: Plastic  
Striker: Steel - NPL

**Specifications:**

Magnet adjustable by 5 mm

**Size:**

Body: 20 x 22 mm  
Bore: Ø10 x 8 mm

**Nail-on striker:**

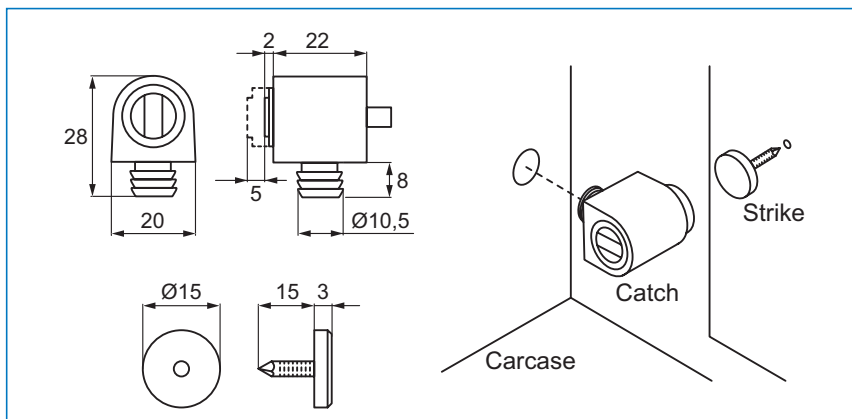
Head: Ø15 x 3 mm  
Nail: Ø2 x 10 mm

**Finish:**

Brown – 4 kg  
White – 4 kg

**Item No.:**

# 22.01.061  
# 22.01.063



# MAGNETIC TOUCH LATCHES

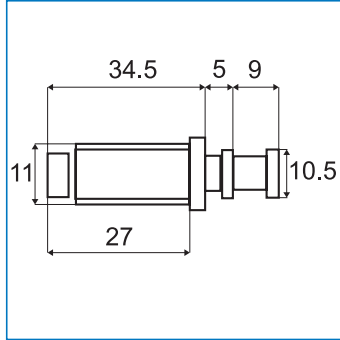
- high quality furniture fittings

## MAGNETIC TOUCH LATCH

Knock in type  
- No striker included

Bore: Ø11 x 38 mm

**Finish:** Black Plastic  
**Item No.:** # 22.01.095

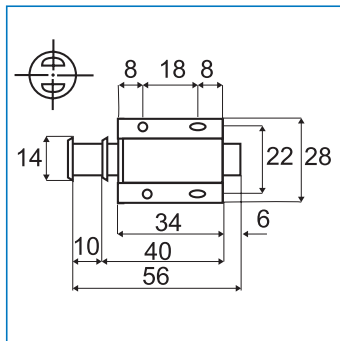


## MAGNETIC TOUCH LATCH

- SINGLE  
Screw on - No striker included  
- round type

Fixation: c.c. 22 mm

**Finish:** Black plastic  
**Item No.:** # 22.01.070

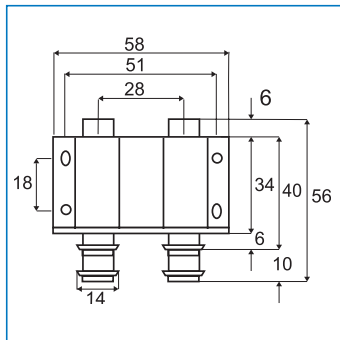


## MAGNETIC TOUCH LATCH

- DOUBLE  
Screw on - no striker included  
- round type

Fixation: c.c.18 mm/51 mm

**Finish:** Black plastic  
**Item No.:** # 22.01.088

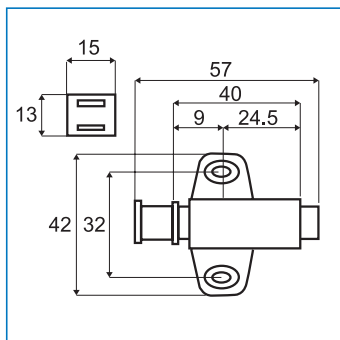


## MAGNETIC TOUCH LATCH

- SINGLE  
Screw on - no striker included  
- square type

Fixation: c.c. 32 mm

**Finish:** Black plastic  
**Item No.:** # 22.01.075

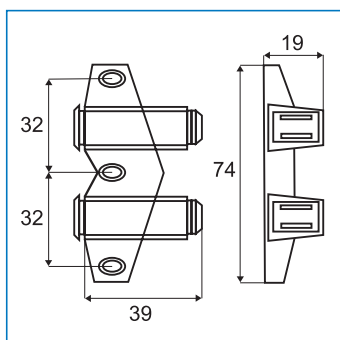


## MAGNETIC TOUCH LATCH

- DOUBLE  
Screw on - no striker included  
- square type

Fixation: c.c. 32 mm/64 mm

**Finish:** Black plastic  
**Item No.:** # 22.01.087



# TOUCH LATCHES "SLIM" - W/BUMPER

## TOUCH LATCH "SLIM" W/SOFT BUMPER

**Application:** Push-to-open touch latch for doors and drawers

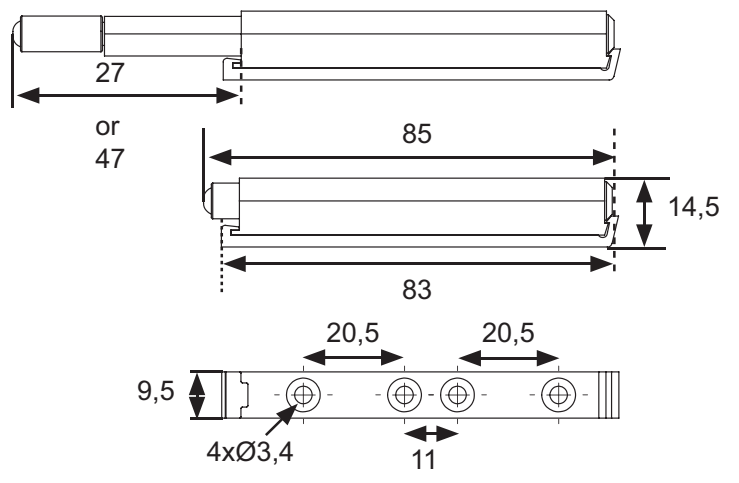
**Material:** Black ABS, White ABS, Grey ABS RAL 7040

**Overall size:** 85 mm x 14,5 mm

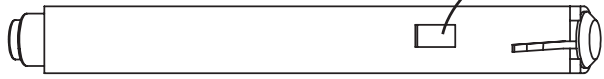
**Extended:** 105,5 mm

**Item No.:** # 22.01.108 (Black)  
# 22.01.109 (Grey)  
# 22.01.109-5 (White)

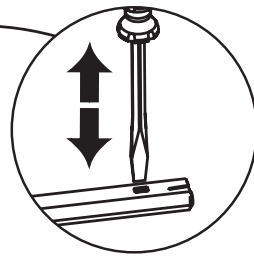
Screws to be ordered separately



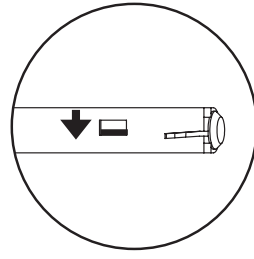
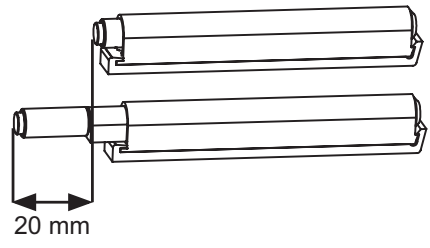
### CHANGE OF EXTENSION LENGTH



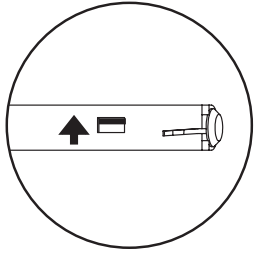
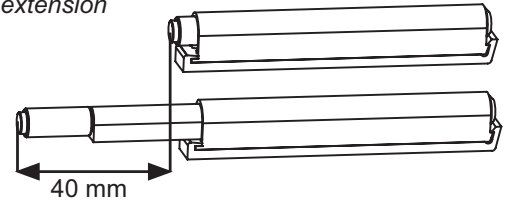
In closed position, press the tab upwards or downwards to choose the length of extension



20 mm. extension



40 mm. extension



# TOUCH LATCHES "SLIM" - W/ MAGNET

- high quality furniture fittings



## MAGNET TOUCH LATCH "SLIM" W/STRIKER

**Application:** Push-to-open touch latch for doors and drawers with magnet & striker. Suitable for wood & glass fronts

**Material:** Black ABS, White ABS, Grey ABS RAL 7040

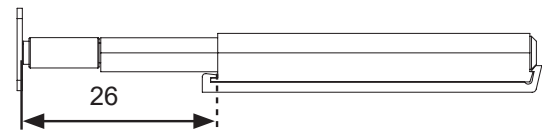
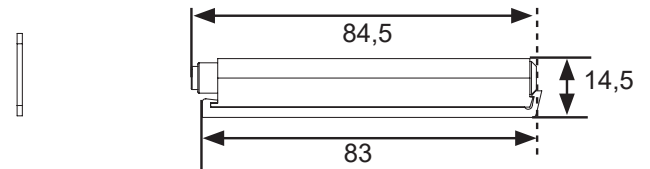
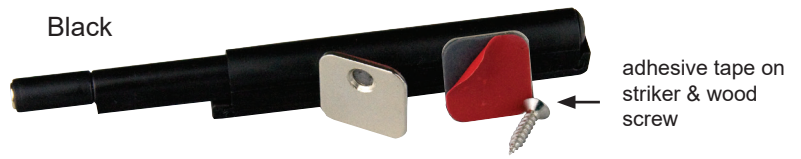
**Overall size:** 84,5 mm x 14,5 mm

**Extended:** 105 mm

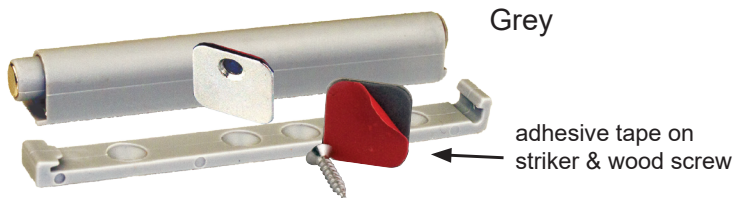
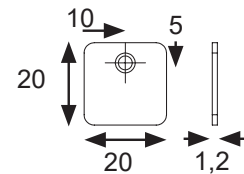
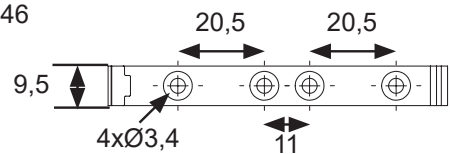
**Item No.:**  
 # 22.01.104 (White)  
 # 22.01.105 (Black)  
 # 22.01.106 (Grey)

Incl. Steel striker 20 x 20 mm with adhesive tape for glass fixing & screw hole for wood fixing

Screws to be ordered separately



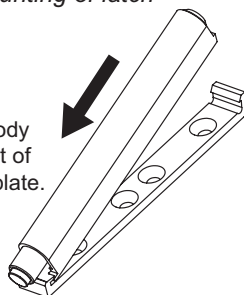
or  
46



### Mounting of latch

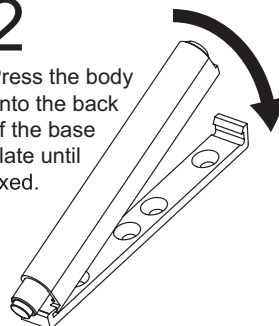
1

Clip the body to the front of the base plate.

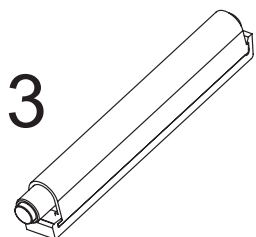


2

Press the body onto the back of the base plate until fixed.



3



## DOOR DAMPER "BLUES" FOR DRILLING

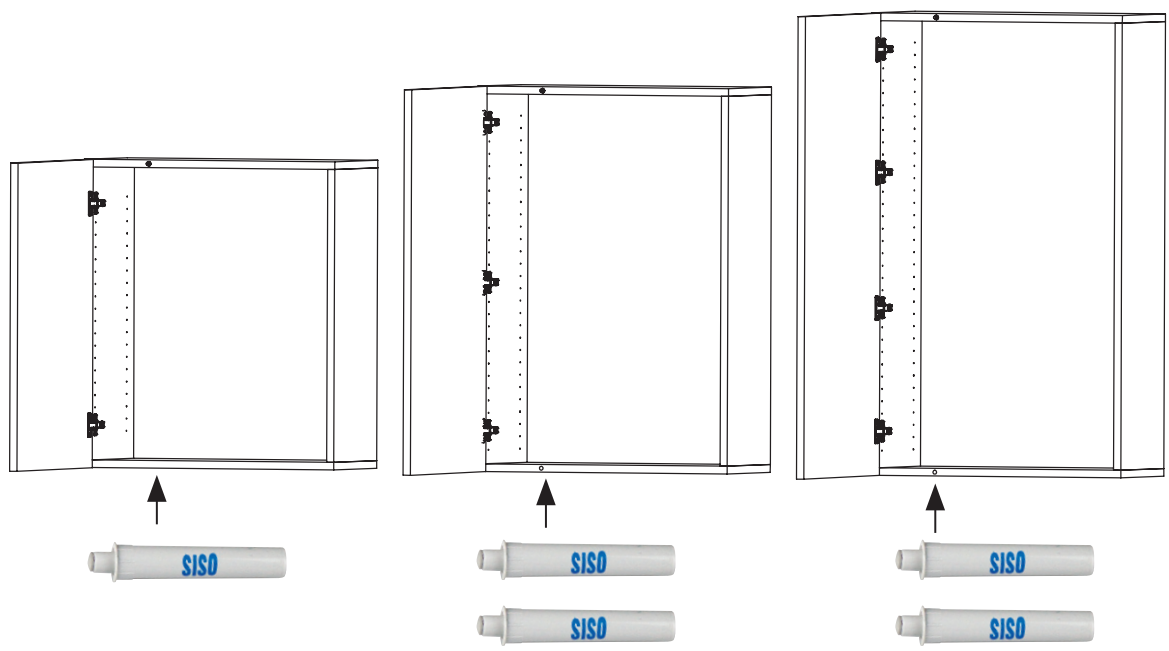
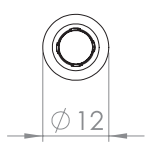
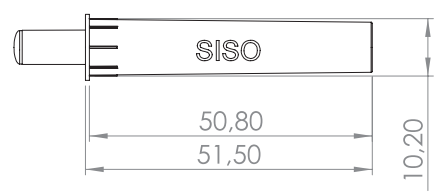
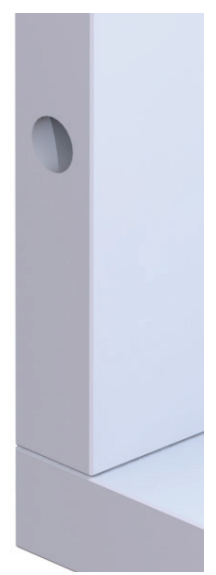
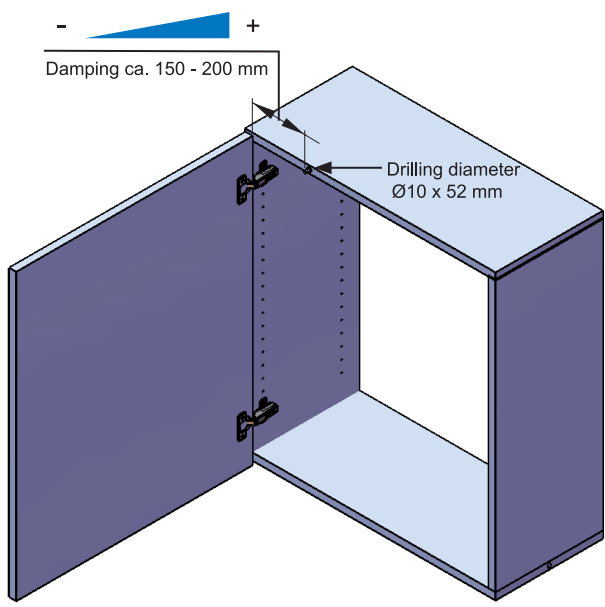
**Application:** Soft close damper for doors and drawers

**Material:** Grey ABS

**Overall size:** Ø 10 x 50 mm

**Item No.:** # 15.04.517

LGA tested in Germany. Passed 80.000 cycles





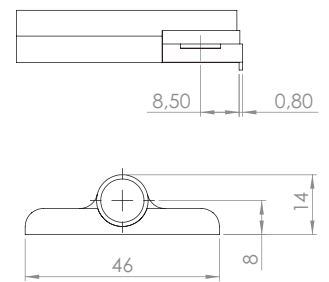
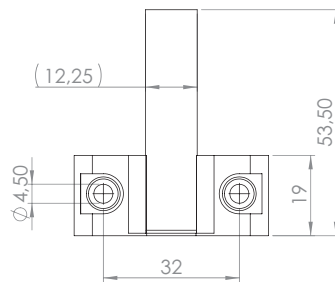
# DOOR DAMPER BOX "BLUES"

- high quality furniture fittings



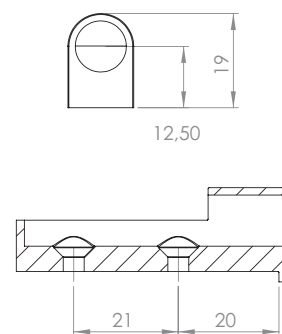
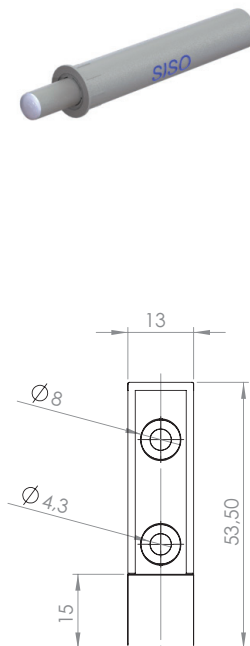
## DOOR DAMPER BOX "BLUES" SCREW-ON

**Application:** Box for soft close damper  
**Material:** Grey ABS  
**Overall size:** 46 x 52 mm. c.c. 32 mm  
**Item No.:** # 15.04.516  
 Damper and screws to be ordered separately



## DOOR DAMPER BOX INVISIBLE "BLUES"

**Application:** Box for soft close damper  
**Material:** Grey ABS  
**Overall size:** 13 x 53,5 mm. c.c. 21 mm  
**Item No.:** # 15.04.514  
 Damper and screws to be ordered separately

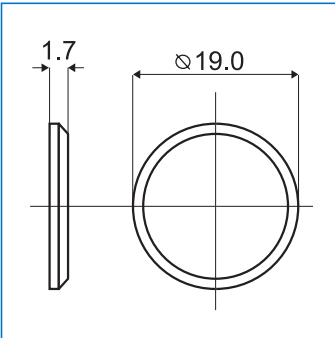


# STRIKING PLATES

**ROUND STRIKER - SELF ADHESIVE**  
For Rigid Fixation - Stick On Type

**Material:** Steel  
**Diameter:** Ø19 mm

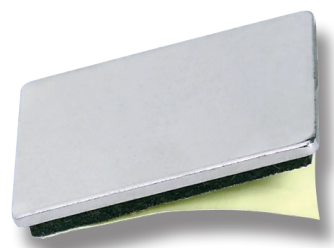
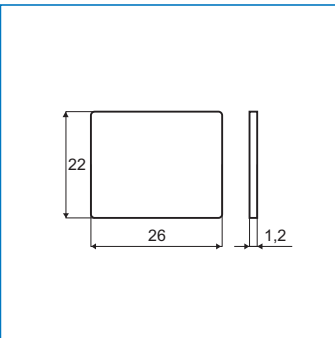
**Finish:** Nickel plated  
**Item No.:** # 22.01.118



**SQUARE STRIKER - SELF ADHESIVE**  
For Rigid Fixation - Stick On Type

**Material:** Steel  
**Size:** 26 x 22 mm

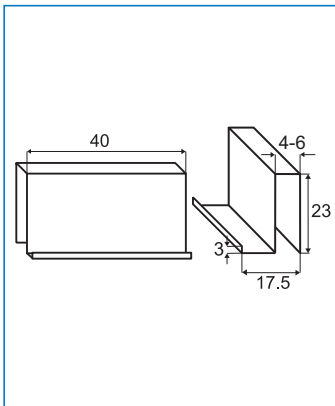
**Finish:** Nickel plated  
**Item No.:** # 22.01.127



**CATCH PLATE - GLASS with Handle & Pad**

**Material:** Steel  
**Size:** 23 x 40 mm  
4-6 mm glass thickness

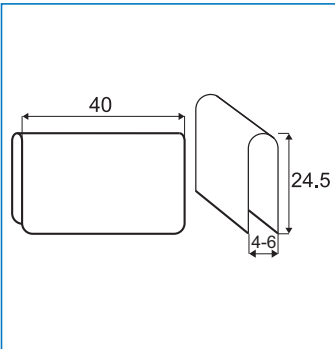
**Finish:** Chrome plate  
Black anodized  
Brass plated  
**Item No.:** # 22.03.015  
# 22.03.016  
# 22.03.017



**CATCH PLATE - GLASS With Pad**

**Material:** Steel  
**Size:** 40 x 25 mm  
4-6 mm glass thickness

**Finish:** Black anodized  
Chrome plated  
**Item No.:** # 22.03.111  
# 22.03.115



## SLIDING BOLT "BALL" – Straight bolt

### Specifications:

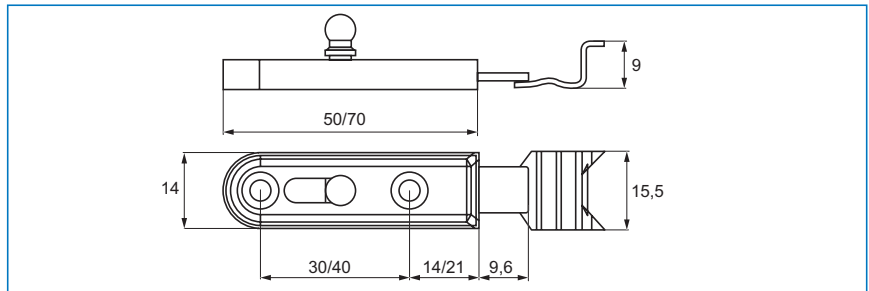
Straight bolt  
W/L-shaped stopper w/spikes  
Round knob & rear

**Material:** Steel – nickel plated

**Size:** 50 x 14 mm &  
70 x 14 mm

**Finish:** 50mm - NPL  
70mm - NPL

**Item No.:** # 22.06.004  
# 22.06.007



## SLIDING BOLT "BALL" – Cranked bolt

### Specifications:

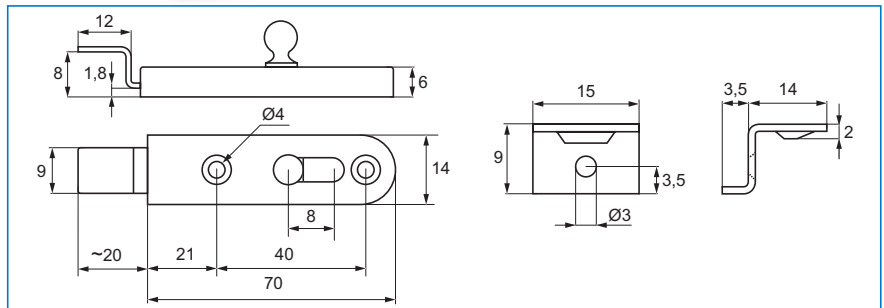
Cranked bolt  
W/L-shaped stopper w/spikes  
Round knob & rear

**Material:** Steel - nickel plated

**Size:** 70 x 14 mm

**Finish:** 70mm - NPL

**Item No.:** # 22.06.040



## SLIDING BOLT "FLAT" – Straight bolt

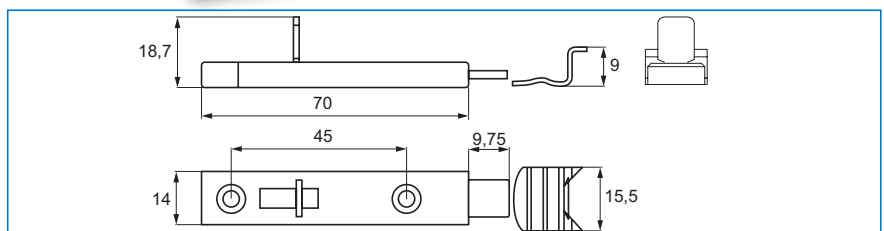
### Specifications:

Straight bolt  
W/L-shaped stopper w/spikes  
Flat knob & rear

**Material:** Steel

**Size:** 70 x 14 mm

**Finish:** Brass Pl. # 22.06.012  
Nickel Pl. # 22.06.013



## SLIDING BOLT "PLASTIC" – Straight bolt

### Specifications:

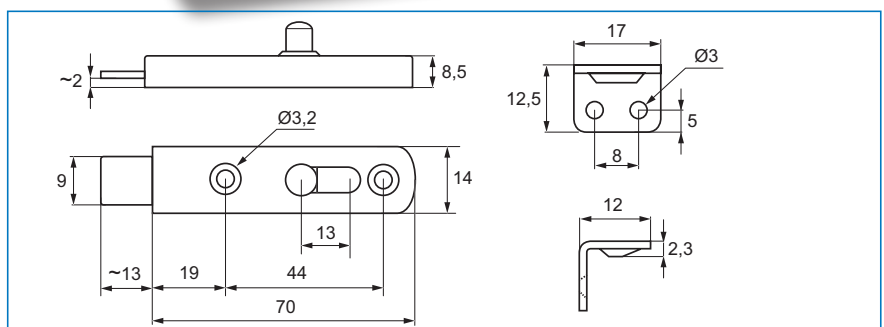
Straight bolt  
W/L-shaped stopper  
Round knob & rear

### Material:

Body: Plastic  
Stop & bolt: Steel

**Size:** 70 x 14 mm

**Finish:** Black/NPL # 22.06.016  
Alu color/NPL # 22.06.018



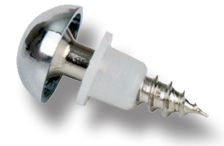
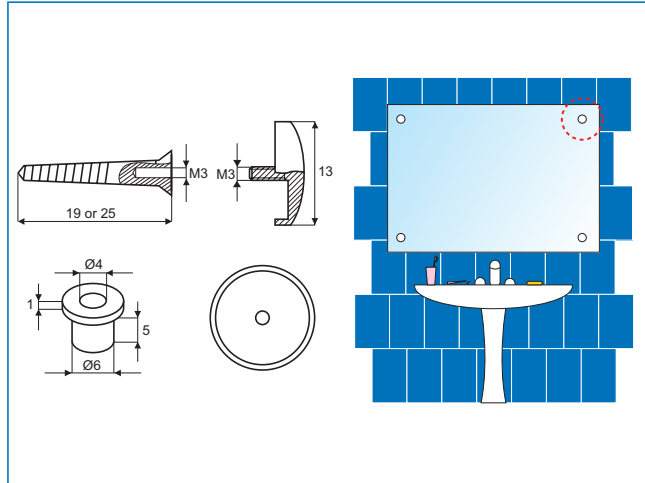
## MIRROR SCREWS W/CAP

**Application:**  
Fixing of mirrors.  
Drilling in glass required.

**Consists of:**  
Steel NPL screw,  
plastic bushing & brass cover cap.

Ø4 x 19 mm screw. Ø13 mm cap  
**Finish:** Chrome plated  
**Item No.:** # 22.05.140

Ø4 x 25 mm screw. Ø13 mm cap  
**Finish:** Chrome plated  
**Item No.:** # 22.05.145



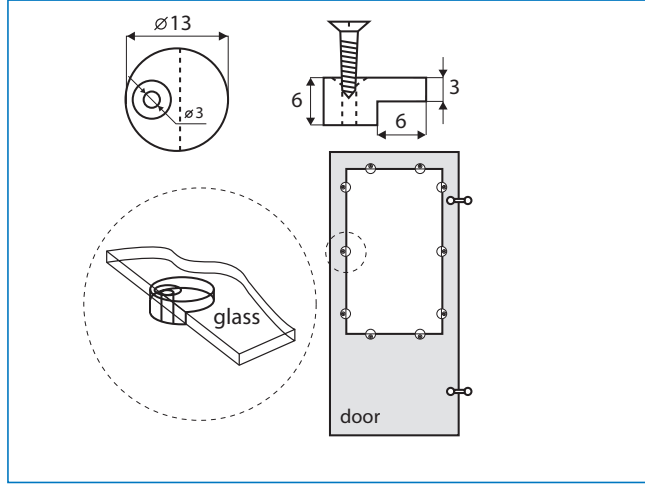
## MIRROR OR GLASS CLIP

**Application:**  
For safe mounting of mirrors or other  
glass panels of 4 mm thickness.

**Material:**  
Plastic transparent

**Screw holes:** Ø3 mm  
**Item No.:** # 22.05.200

**Option:**  
Also available for other glass thickness  
upon special request or inquiry.  
Other colour available.



## MIRROR CLIPS W/SPRING

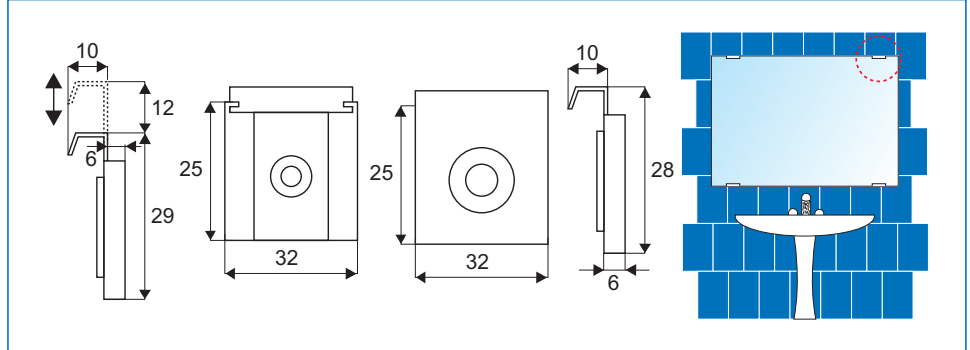
**Application:**  
Fixing of mirrors.  
No drilling in glass required.

**Consists of:**  
2 spring loaded top clips  
& 2 fixed bottom clips.

**Glass thickness:** 5 mm  
Screw holes Ø5 mm

**Finish:** Steel, nickel plated  
**Item No.:** # 22.05.100  
Stainless steel 304 # 22.05.105

W/screws and wall plugs



# FLAP STAY "STRING"

- high quality furniture fittings



## Application:

For cabinets or cushion boxes with wooden flaps.

## Specifications:

W/adjustable opening angle & soft open and self-closing mechanism.

For horizontal or vertical use

For right- or left-hand use

## Size:

Housing: W x L x D: 26 x 68 x 160 mm (when installed horizontally)

## Material:

Grey plastic and zamak, nickel plated

Internal cabinet depth: min. 180 mm (horizontal), min. 82 mm (vertical)

Flap height: 210–480 mm

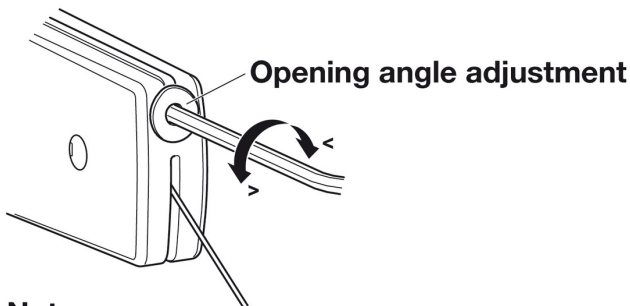
Max flap weight: 9 kg

Item No.: # 15.10.360

Incl. Front Fixing Bracket – Nickel Plated



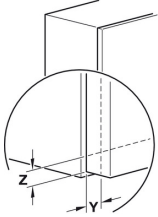
## Adjustment



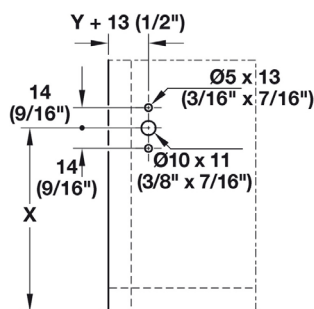
## Note

Ease door weight during adjustment.

### Front fixing

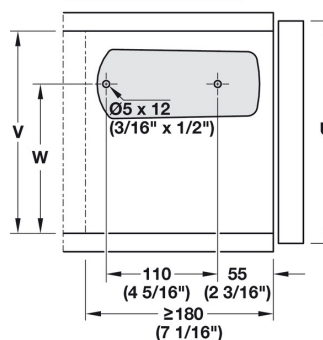


U = door height  
V = internal cabinet height  
W = drill hole height  
X = center of front fixing  
Y = lateral door overlay dimension  
Z = bottom door overlay dimension

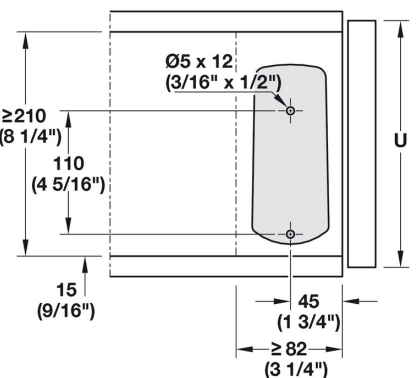


### Planning and installation

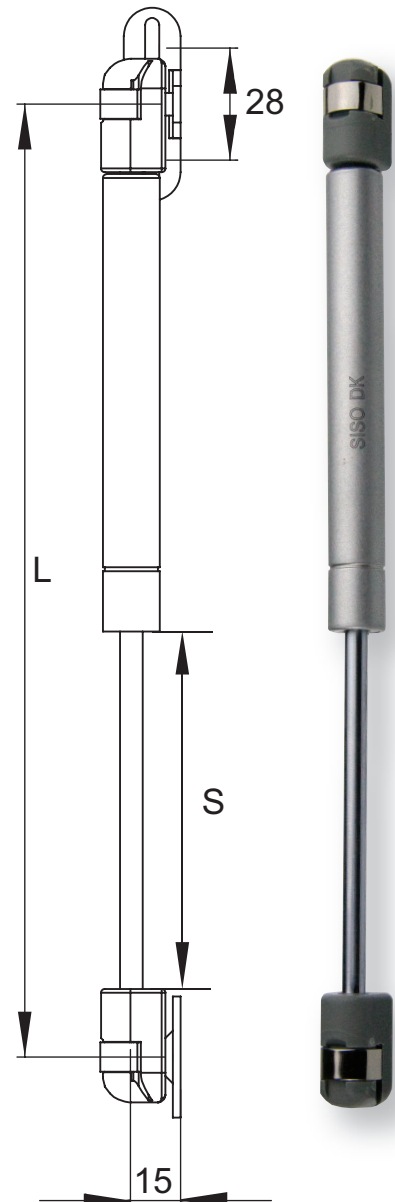
#### Horizontal installation



#### Vertical installation



# PNEUMATIC EXPANSION SPRING



**Material:** Steel, Silver/Nickel plated

**Size:** Piston Ø6 mm  
Cylinder Ø15 mm

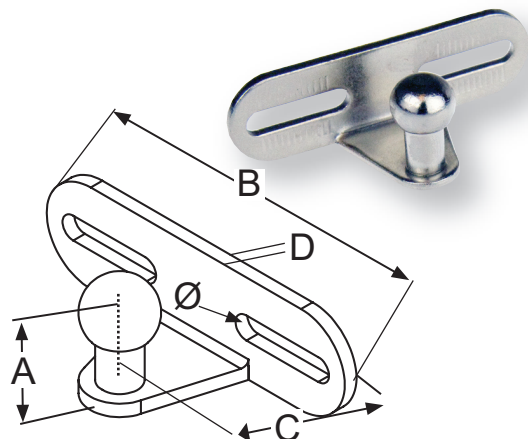
**Stroke (S):** 92 mm

L	S	Material	Force	Item No.:
247 mm	92 mm	Steel	60N	# 15.11.439
247 mm	92 mm	Steel	80N	# 15.11.440
247 mm	92 mm	Steel	100N	# 15.11.441
247 mm	92 mm	Steel	120N	# 15.11.442

Mounting bracket to be ordered separately. See next page

SGS test: 60.000 cycles

## L-MOUNTING BRACKET

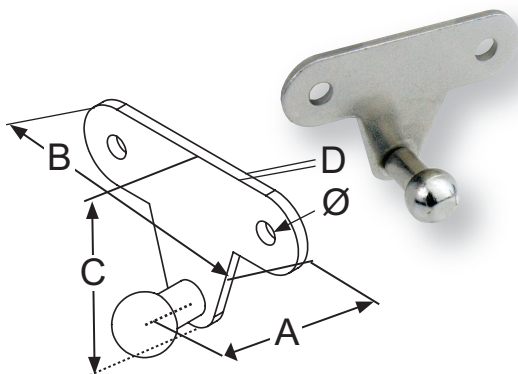


**Material:** Steel, Nickel Plated (NPL)

A	B	C	D	Ø	Item No.
16,5 mm	51 mm	15 mm	2 mm	Ø4 x 17 mm	# 15.11.458

Incl. 2 Nickel plated wood screws, PZD, Ø3,5 x 16 mm

## FLAT T-SHAPED MOUNTING BRACKET

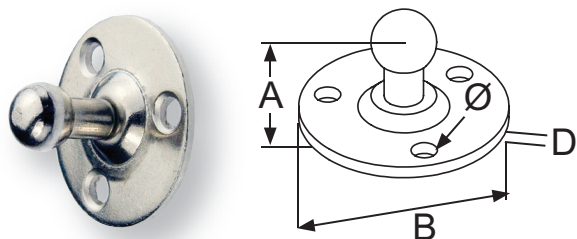


**Material:** Steel, Nickel Plated (NPL)

A	B	C	D	Ø	Item No.
14 mm	46 mm	31,5 mm	2 mm	4,5 mm	# 15.11.462

Incl. 2 Nickel plated wood screws, PZD, Ø3,5 x 16 mm

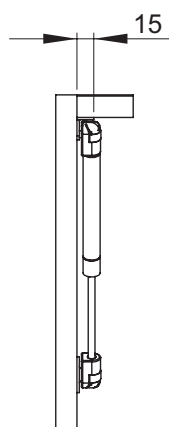
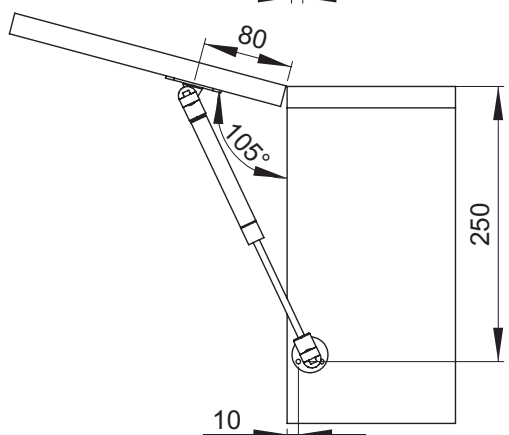
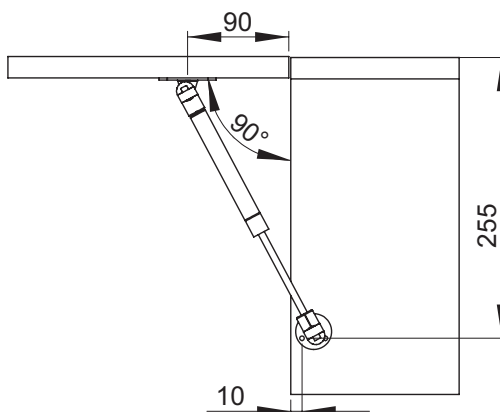
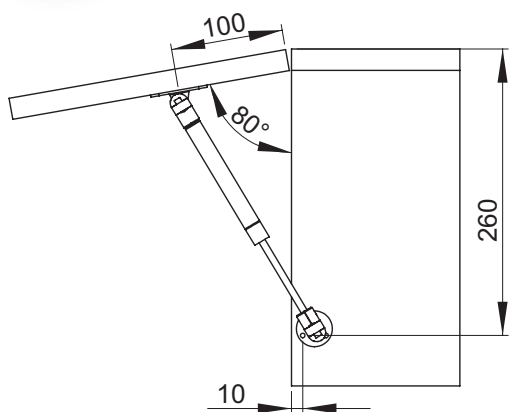
## ROUND MOUNTING BRACKET



**Material:** Steel, Nickel Plated (NPL)

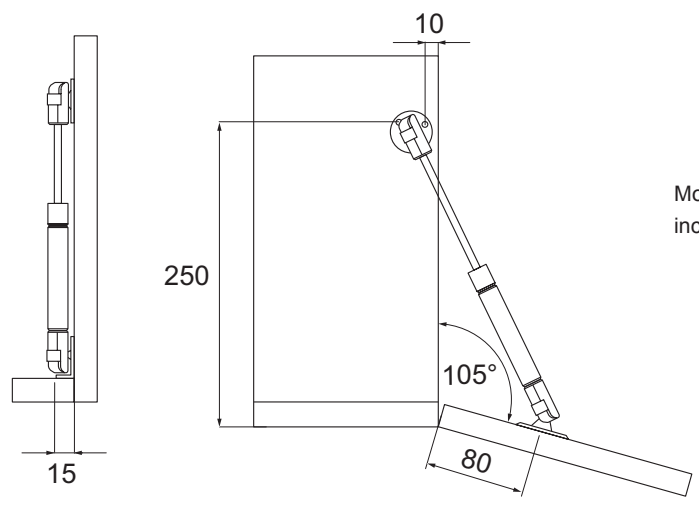
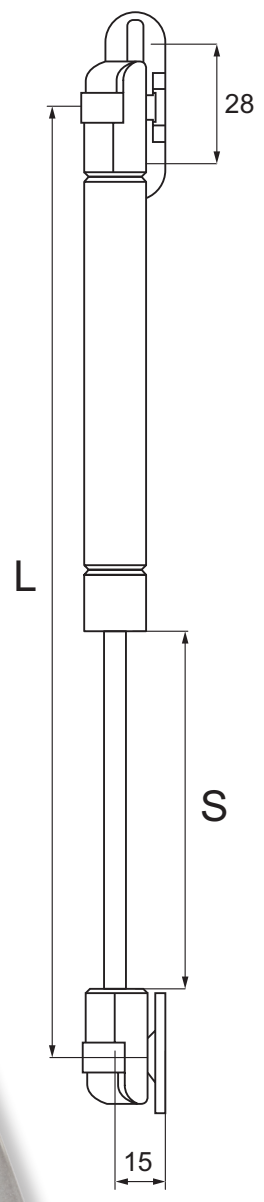
A	B	D	Ø	Item No.
16 mm	31 mm	2 mm	4 mm	# 15.11.454

Incl. 3 Nickel plated wood screws, PZD, Ø3,5 x 16 mm

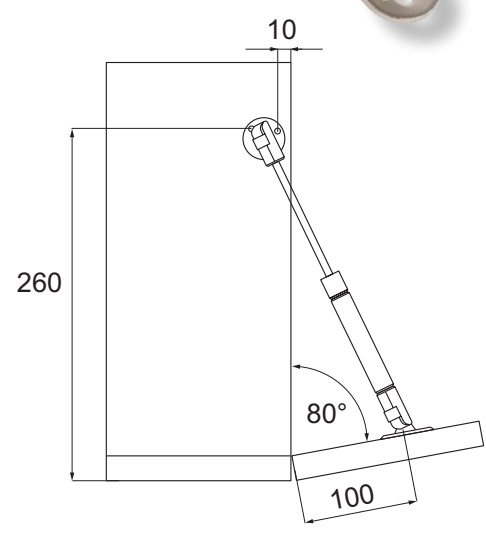
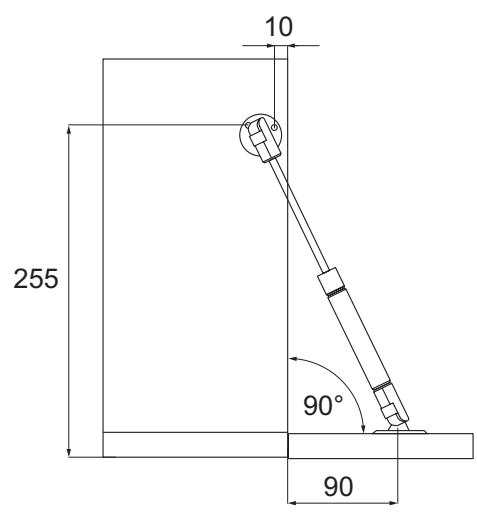


# PNEUMATIC DROP DOWN SPRING

<b>Material:</b>	Steel, Silver/Nickel plated			
<b>Size:</b>	Piston	Ø6 mm		
	Cylinder	Ø15 mm		
<b>Stroke (S):</b>	92 mm			
L	S	Material	Force	Item No.
247 mm	92 mm	Steel	60N	# 15.11.443
247 mm	92 mm	Steel	80N	# 15.11.444
247 mm	92 mm	Steel	120N	# 15.11.446



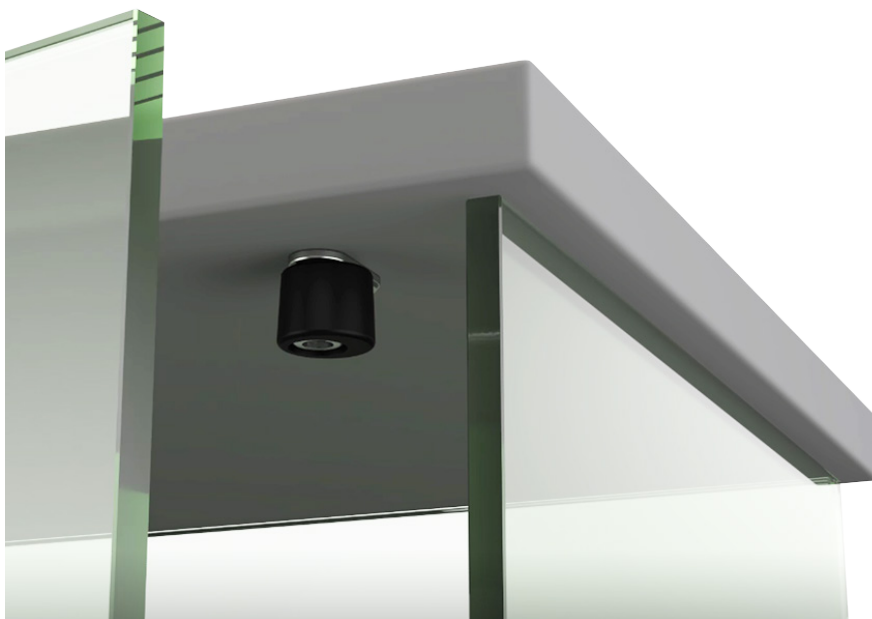
Mounting brackets included. (2 pcs)





# CABINET DOOR STOPPER "TURN TO FIT"

- high quality furniture fittings

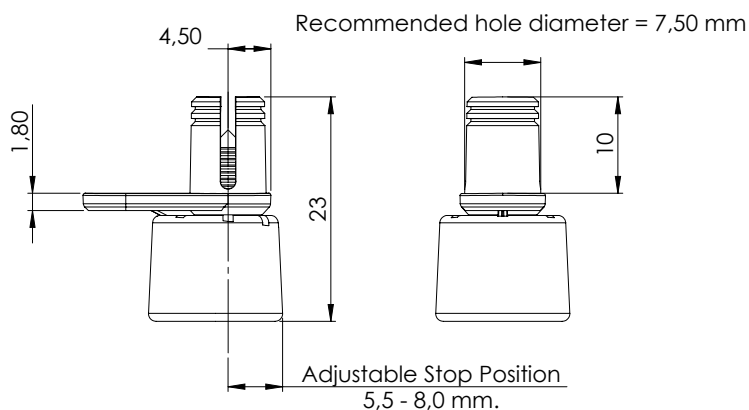
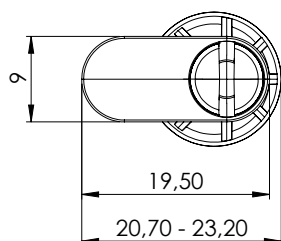
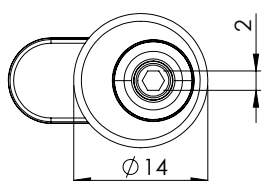
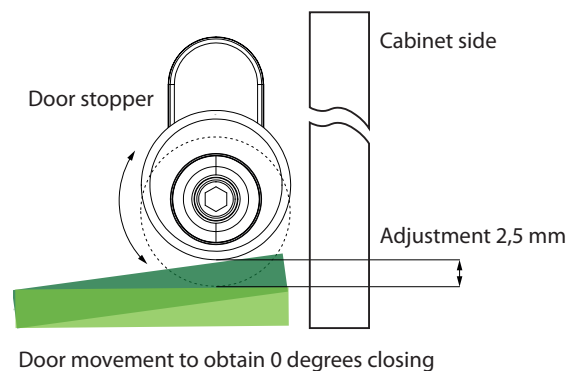


**Application:**  
Adjustable eccentric door stopper with silicone bumper

**Material:**  
Zamak – nickel plated and black silicone  
**Size:** 9 x 19,5 x 23 mm (W/L/H)  
**Drilling:** Ø7,5 mm

**Finish:**  
Nickel plated

**Item No.:**  
# 15.06.090



# DOOR STOPPER PROFILE

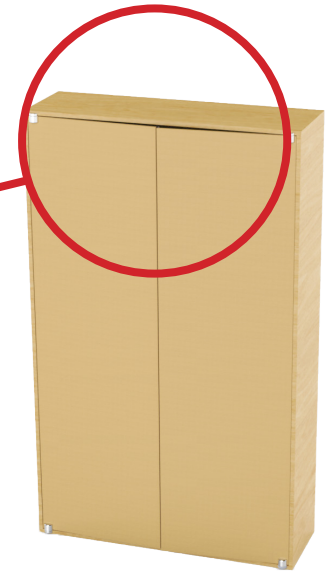
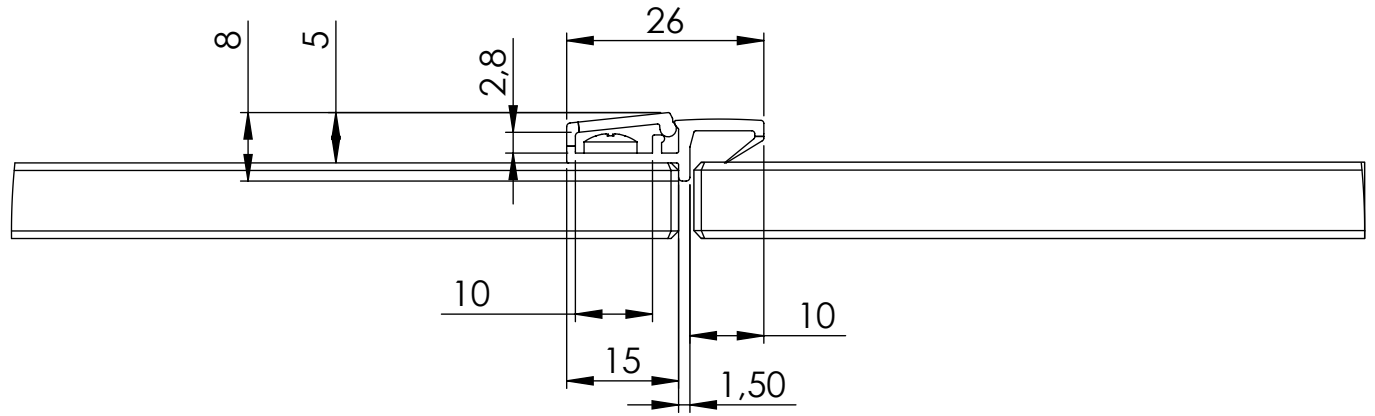
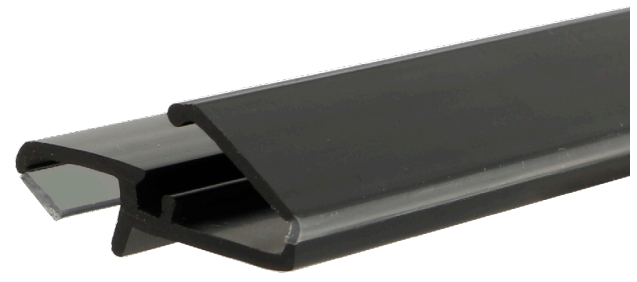
**Application:**  
For wooden cabinets with double doors.

**Specifications:**  
With soft sealing lip & cover clip for invisible screws.  
No pre-drilled screw holes in profile.

**Size:** 26 x 8 x 2600 mm

**Material:** Black PS & TPE plastic

**Item No.:** # 14.05.900



# CABINET SUSPENSION FITTING "AEKI"

- high quality furniture fittings

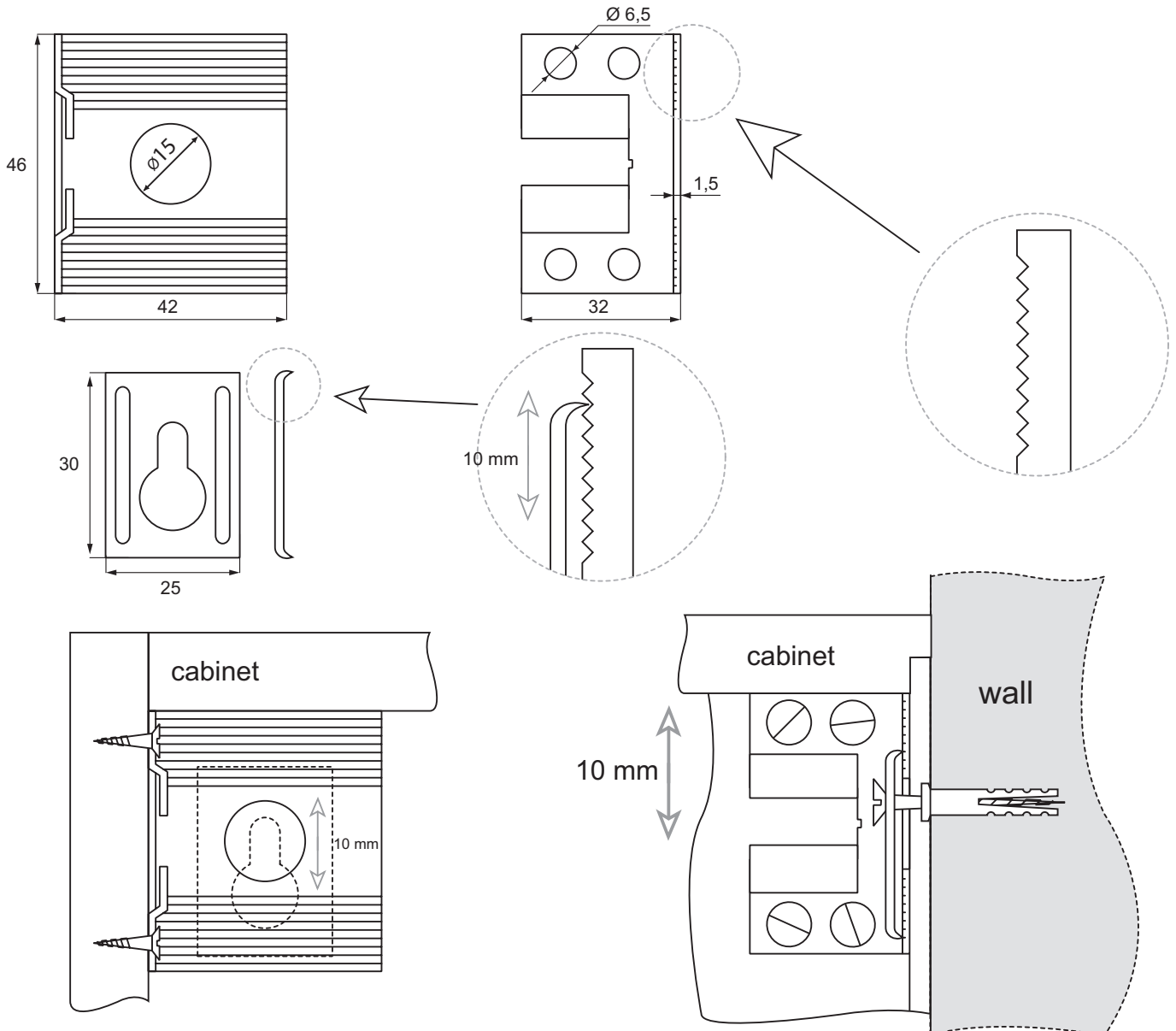
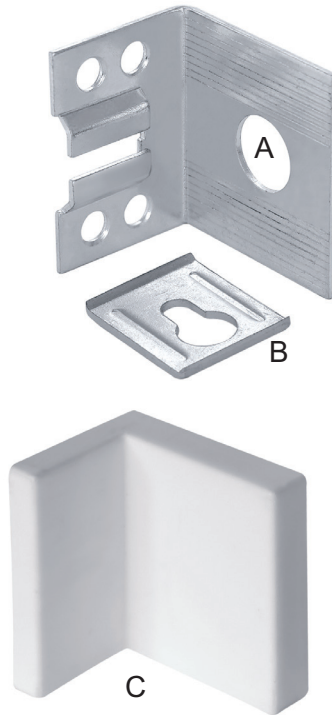
**Material:**

Cover Cap - plastic  
 Brackets - Steel, bright zinc plated

**Mounting instruction:**

1. Fasten part "A" to the top corners of the cabinet
2. Mark on the wall the point for drilling inside the round hole "A"
3. Place the cabinet onto the wall with round holes of part "A" to be placed onto the screws already premounted in the wall
4. Place part "B" onto the screws and onto the part "A" as illustrated
5. Tighten the wall screw and hide part "A/B" with cover cap

Item No.: # 22.08.000



# CABINET SUSPENSION FITTING "SLOV"

**Material:**

Cover Cap - plastic  
 Brackets - Steel, bright zinc plated

**Mounting instruction:**

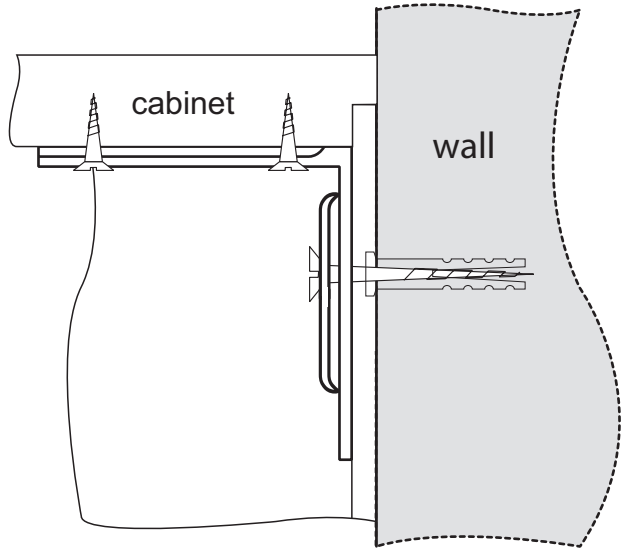
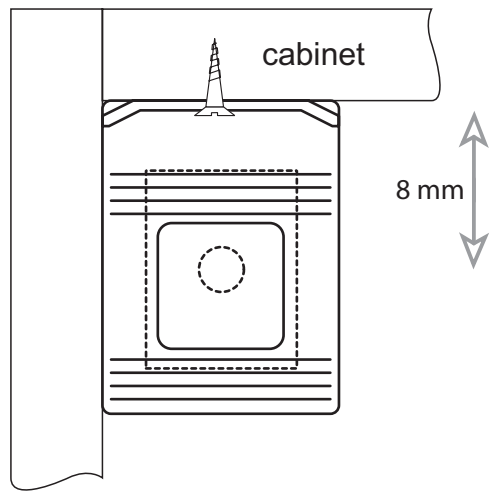
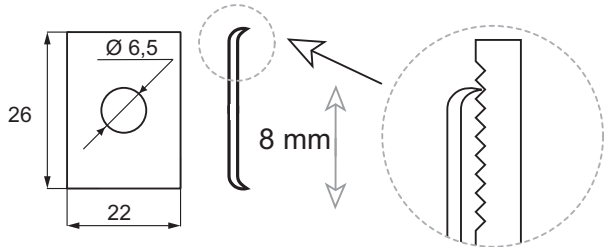
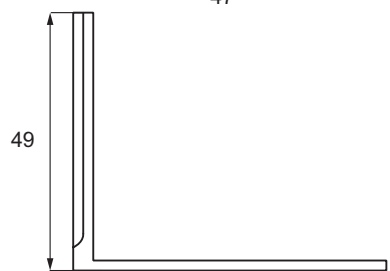
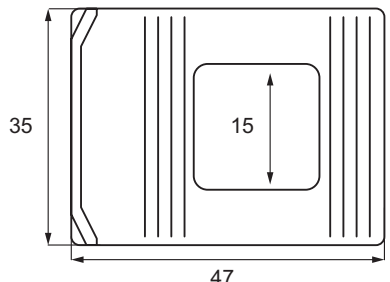
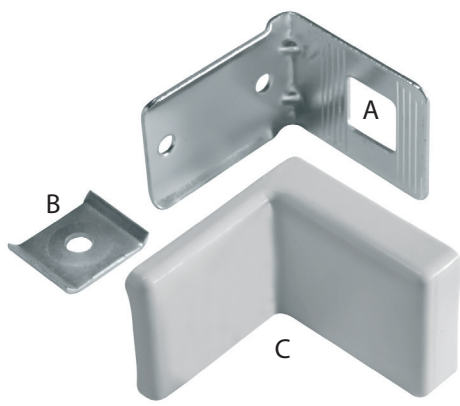
1. Fasten part "A" to the top corners of the cabinet
2. Mark on the wall the point for drilling inside the square hole "A"
3. Place the cabinet onto the wall with square hole of part "A" over the screw hole in the wall
4. Insert the screw into part "B" and tighten the wall screw
5. Hide part "A" & "B" with the plastic cover cap

**Finish:**

Beige  
 White  
 Brown  
 Beech colour  
 Oak colour  
 Cherry colour

**Item No.:**

# 22.08.004  
 # 22.08.005  
 # 22.08.006  
 # 22.08.007  
 # 22.08.008  
 # 22.08.009



# "CLIFF" WARDROBE CABINET HANGER

- high quality furniture fittings



## CABINET HANGER "CLIFF"

Ideal for hanging up cabinets or panels.

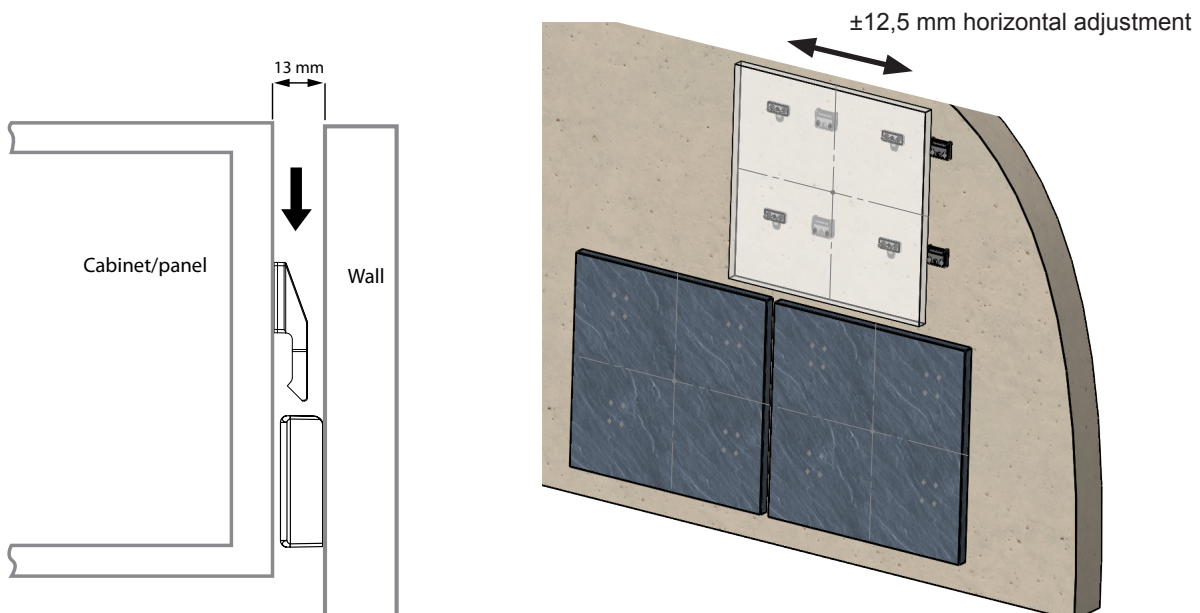
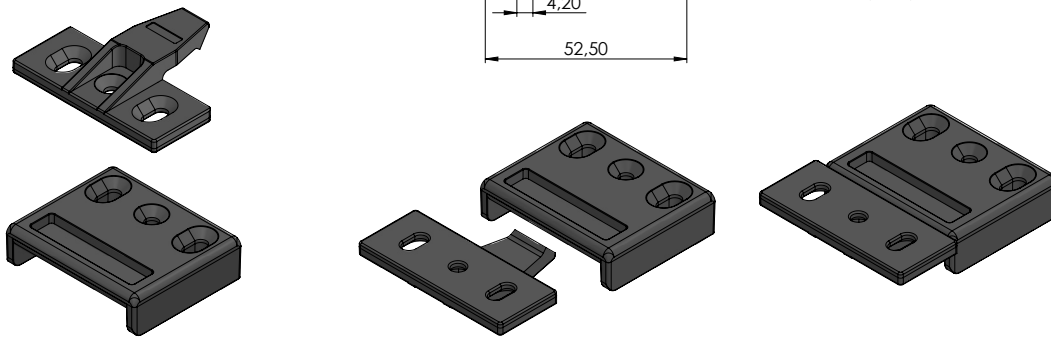
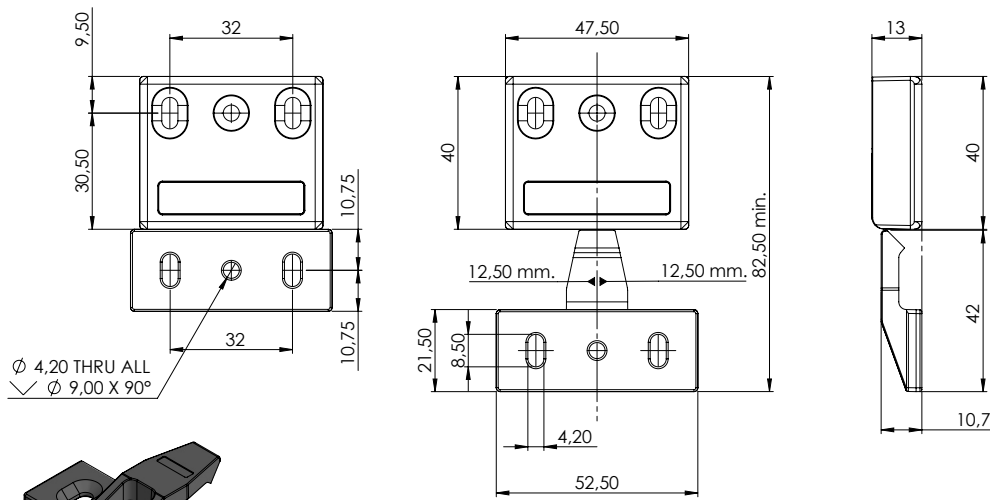
Material: PC, Black

Max load capacity pr. set 20 kg

Panel distance: 13 mm

Horizontal adjustment:  $\pm 12,5$  mm

Finish: Item No.:  
 Male part #11.05.650  
 Female part #11.05.651



# WARDROBE SLIDE HANGER

## WARDROBE SLIDE HANGER

**Application:**  
The perfect solution for wardrobes which are relatively slim or for people who just want to utilize the space in their wardrobe better.

**Material:**  
Steel & ABS plastic

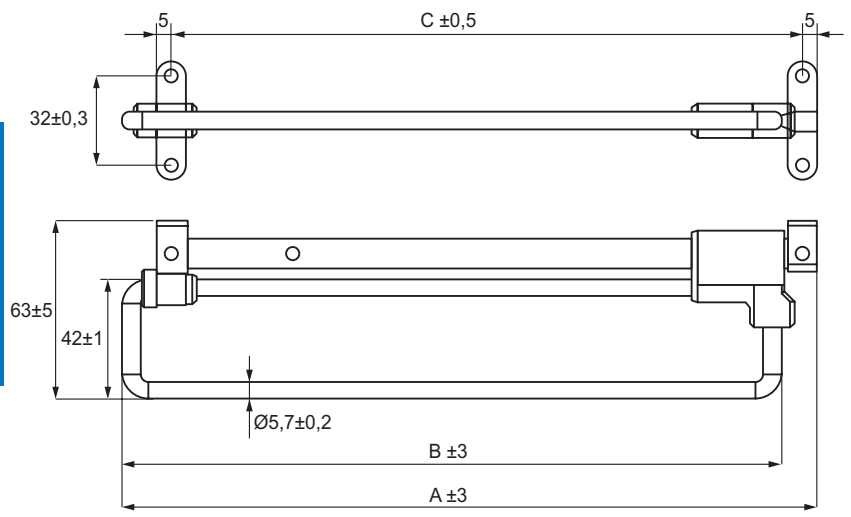
**Finish:**  
Wire and brackets: nickel plated  
Plastic runner: black

**Size:**  
From 250 to 500 mm

**Fixation:** Wood screws  $\varnothing 4 \times 16$  mm



A	B	C	Item No.:
250 mm	235 mm	223 mm	# 22.07.096
300 mm	285 mm	276 mm	# 22.07.100
350 mm	335 mm	325 mm	# 22.07.106
400 mm	385 mm	375 mm	# 22.07.111
450 mm	435 mm	423 mm	# 22.07.116
500 mm	485 mm	473 mm	# 22.07.121

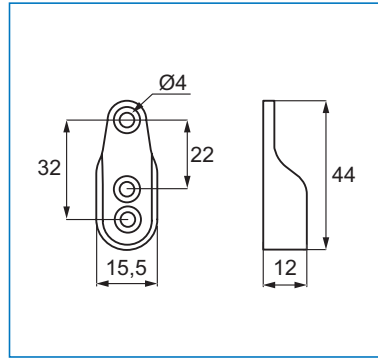


**MODEL D9 - F/Oval tubes**

**Material:** Zamak - NPL

**Size:** 44 x 15,5 mm, cc: 32mm - Ø4 mm

**Item No.:** # 22.20.007

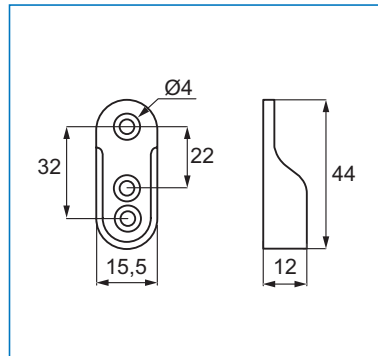


**MODEL D10 - F/Oval tubes**

**Material:** Zamak - NPL

**Size:** 44 x 15,5 mm, cc: 32mm - Ø4 mm

**Item No.:** # 22.20.005

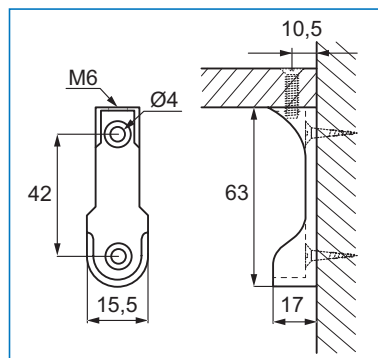


**MODEL D11 - F/Oval tubes  
- W/M6 hole f/top mounting**

**Material:** Zamak - NPL

**Size:** 63 x 15,5 mm, cc: 42mm - Ø4 mm

**Item No.:** # 22.20.021

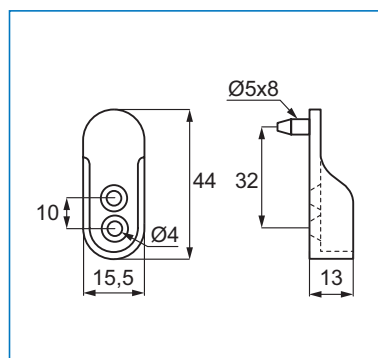


**Model D13 - F/Oval tubes - W/1 pin**

**Material:** Zamak - NPL

**Size:**  
Body: 44 x 15,5 mm, cc: 10 mm - Ø4 mm  
Pin: Ø5 x 8 mm, cc: 32 mm

**Finish:** # 22.20.045

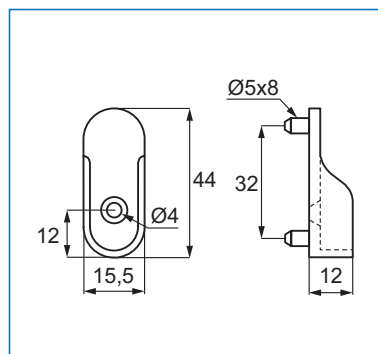


**MODEL D15 - F/Oval tubes - W/ 2 pins**

**Material:** Zamak - NPL

**Size:**  
Body: 44 x 15,5 mm, 1 screw hole Ø4 mm  
Pins: Ø5 x 8 mm, cc: 32 mm

**Item No.:** # 22.20.011

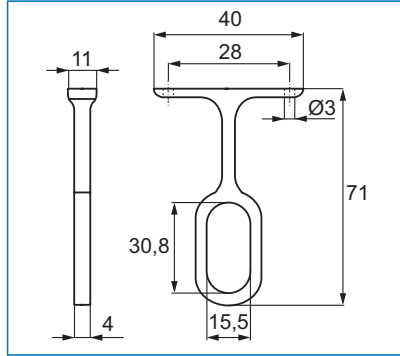


**MODEL D14 - F/Oval tubes - centre**

**Material:** Zamak - CPL

**Size:** 71 x 15,5 mm

**Item No.:** # 22.20.030

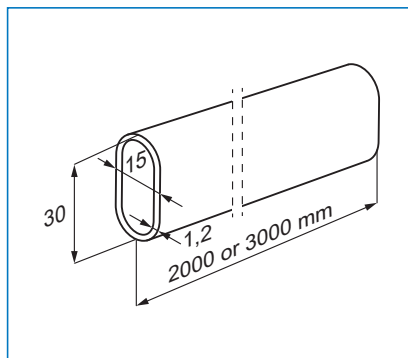


**OVAL WARDROBE TUBES**

**Material:** Steel – chrome plated

**Size:** 30 x 15 x 1,2 mm

**Length:** 2000 mm # 22.20.400  
3000 mm # 22.20.420

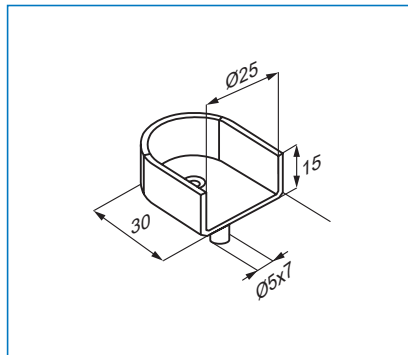


**MODEL D20 - F/round tubes – Ø25 mm**

**Material:** Steel - YZP

**Size:** Body: Ø30 x 15 mm – screw hole Ø5 mm  
Pin: Ø5 x 7 mm

**Item No.:** # 22.20.070

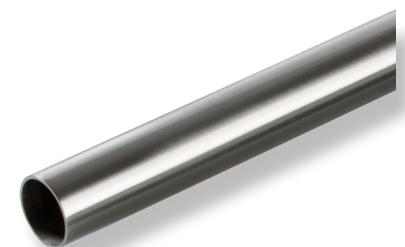
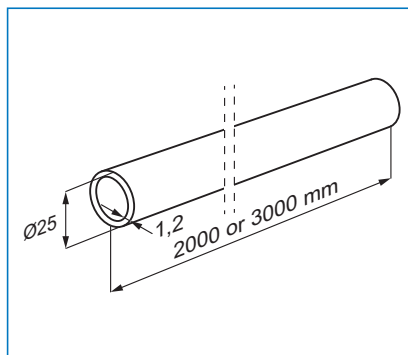


**ROUND WARDROBE TUBES**

**Material:** Steel - chrome plated

**Size:** Ø25 x 1,2 mm

**Length:** 2000 mm # 22.20.xxx  
3000 mm # 22.20.xxx





# SHOE CABINET FITTING "SHOE BOY"

- high quality furniture fittings



**Material:**

Polystyrene (PS) - white

**Size:**

- 1 opening
- 2 openings
- 3 openings

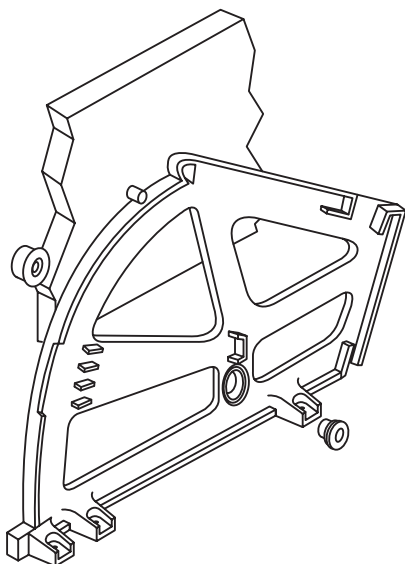
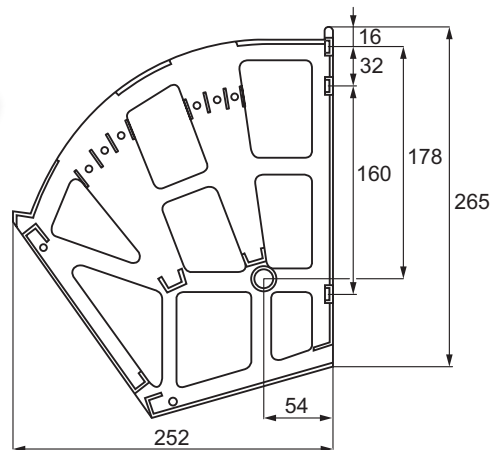
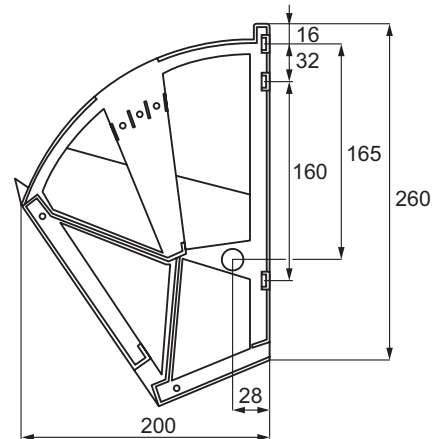
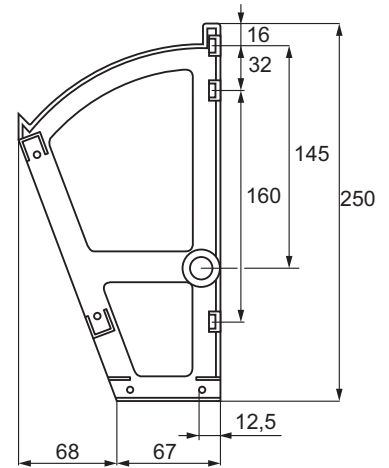
**One set consists of:**

- 1 left – max panel thickness 10 mm
- 1 right – max panel thickness 10 mm
- 2 stoppers – bore Ø8 x 10 mm
- 2 female screw-on bushings – bore Ø20 x 8 mm
- 2 male screw-on bushings

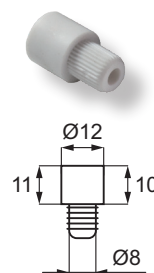
**Model:**

**Item No.:**

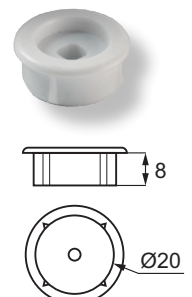
- 1 opening – left # 22.07.206
- 1 opening – right # 22.07.207
- 2 opening – left # 22.07.211
- 2 opening – right # 22.07.212
- 3 opening – left # 22.07.231
- 3 opening – right # 22.07.232
- Female bushing # 22.07.240
- Male bushing # 22.07.241
- Stopper # 22.07.242



# 22.07.241



# 22.07.242



# 22.07.240

# DRAWER STOP – FOR CHILDREN SAFETY

**Application:**

For drawers & cabinets.  
Stops the drawer after 5 - 6 cm

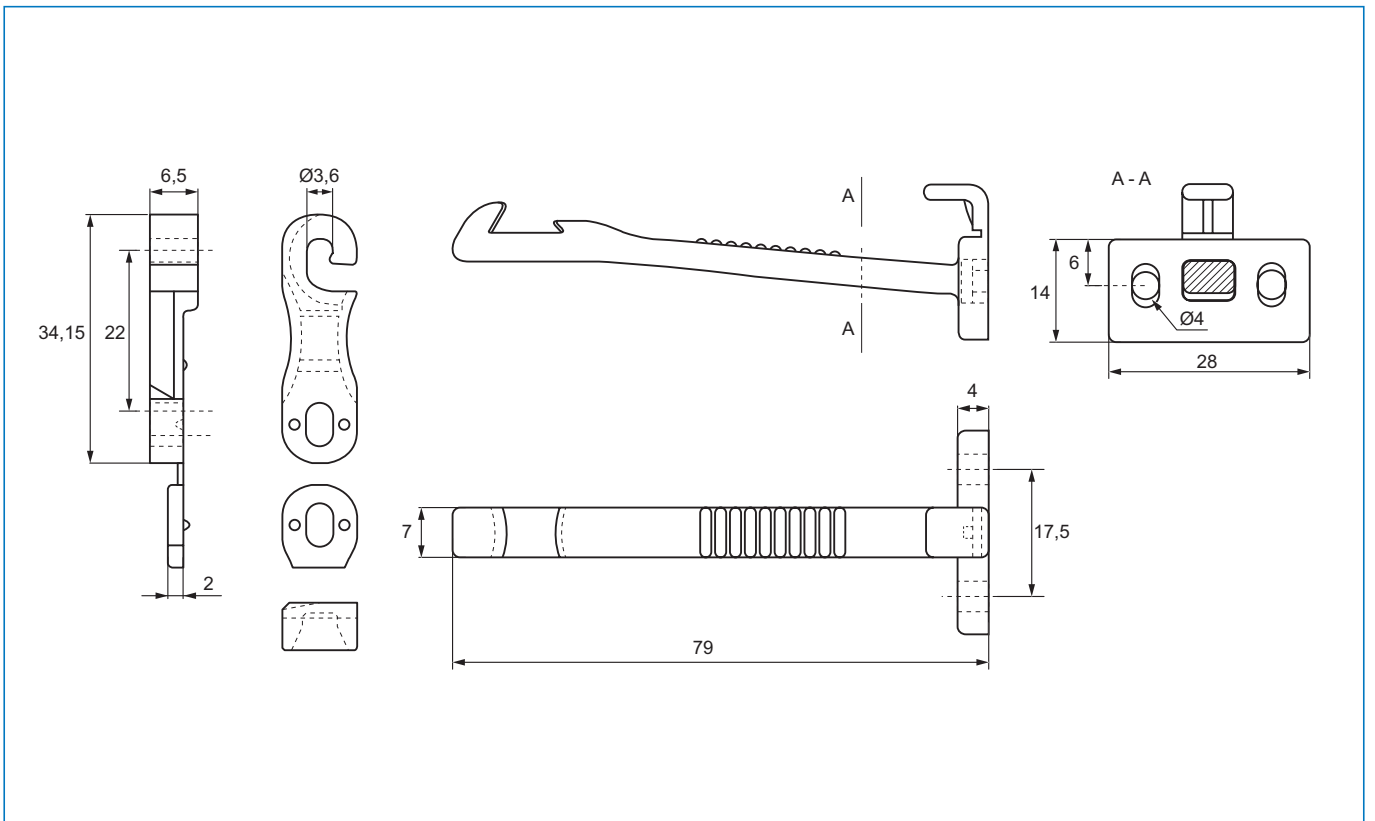
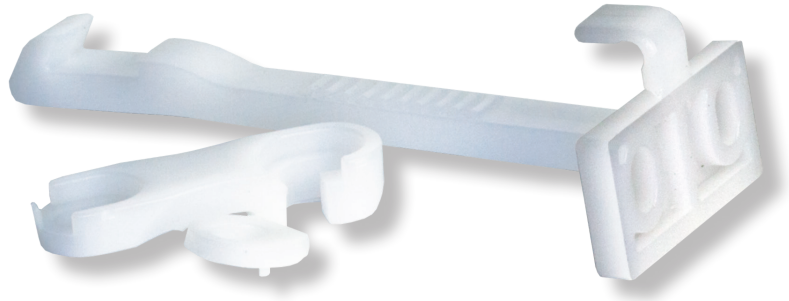
**Material:**

White POM

**Consists of:**

- 1 catch arm
- 1 striker
- No screws included

**Item No.:** # 22.04.110



# SLIDING DOOR FITTINGS "CLASSIC"

- high quality furniture fittings



**Application:**  
Sliding system for wooden cabinets

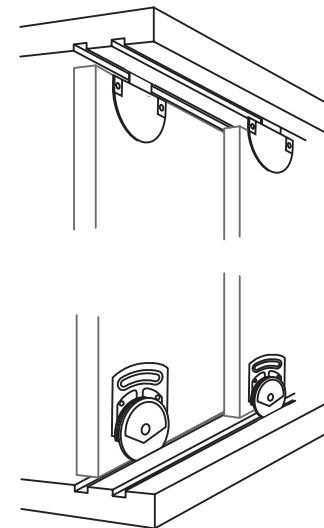
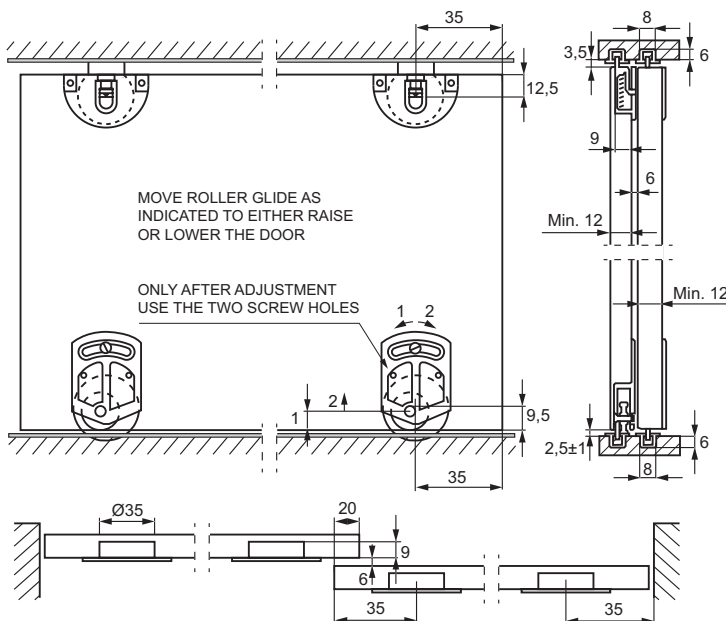
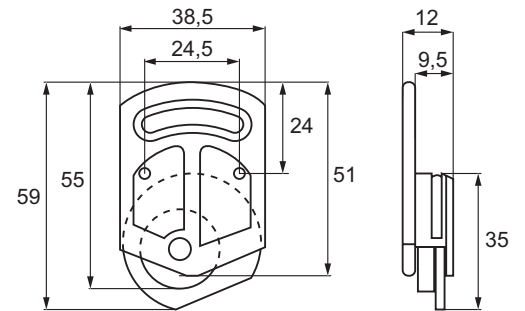
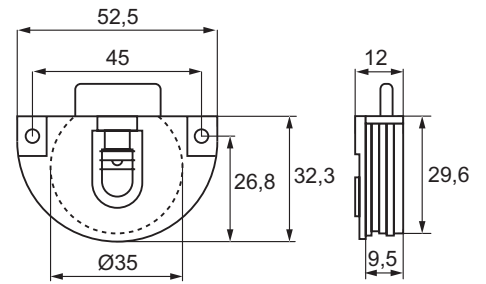
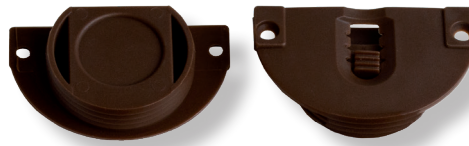
**Specifications:**  
Bore: Ø35 x 9,5 mm

**Material:**  
Plastic

**Load capacity:** 18 kg pr. door

**One set consists of:**  
2 top guides w/lock-release button  
2 rollers w/height adjustment  
8 fixing screws

**Finish:      Item No.:**  
Brown        # 22.27.110  
White        # 22.27.111  
Black        # 22.27.112

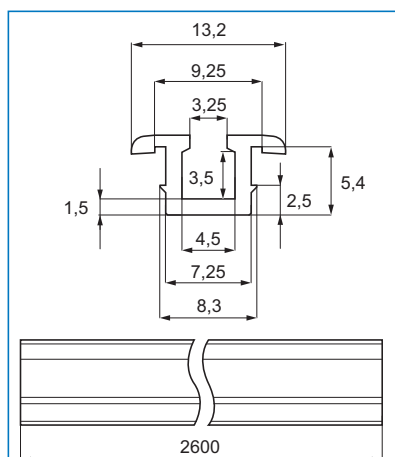


## U-RAIL F/SLIDING SYSTEM "CLASSIC"

**Application:**  
To be used in top  
& bottom of the cabinet

**Specifications:**  
**Groove:** 8 x 6 mm  
**Material:** Plastic  
**Size:** 2600 mm length

**Finish:      Item No.:**  
Brown        # 22.27.125  
White        # 22.27.126  
Black        # 22.27.127



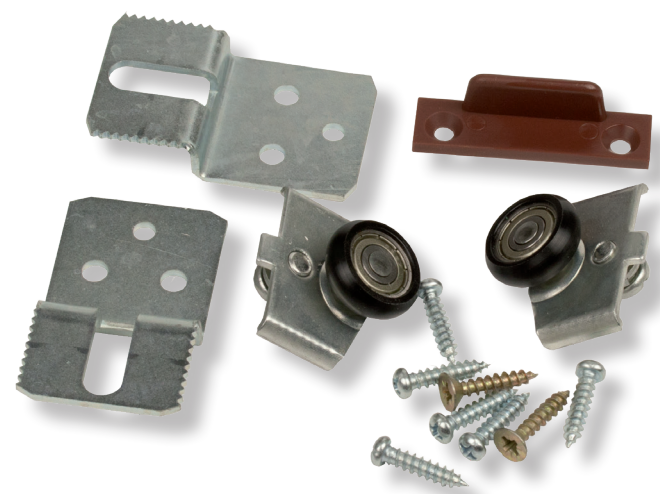
# SLIDING DOOR SYSTEM KG-30

**Application:**  
For wooden sliding doors

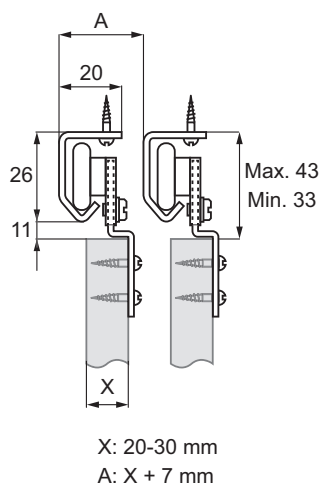
**Specifications:**  
Vertical adjustment mechanism +/-12 mm  
Min. panel thickness: 16 mm  
Max. door weight: 30 kg  
Min. door gap: 7 mm

**One set consists of:**  
2 wheels w/ball bearings - black/zinc Pl.  
2 steel hanging brackets - zinc Pl.  
1 floor guide – brown plastic  
8 fixing screws

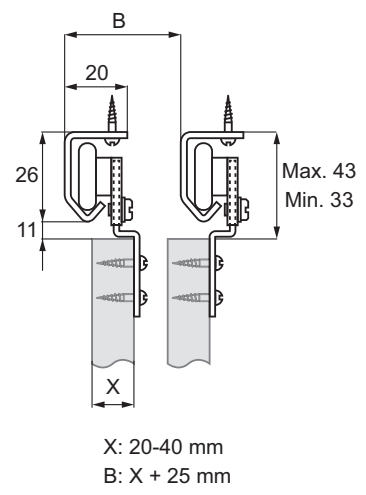
**Item No.:** # 28.25.000



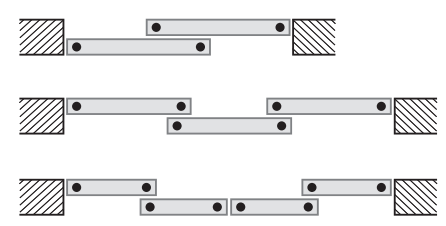
Standard installation



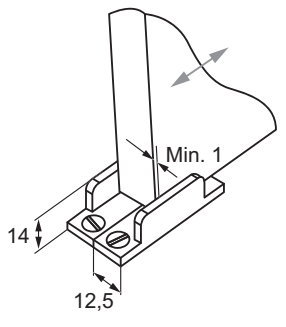
For extra narrow door gap



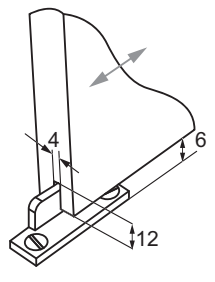
Installation possibilities



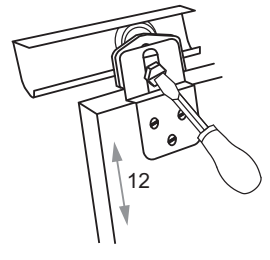
Floor guide installation - no milling



Floor guide installation - milling required



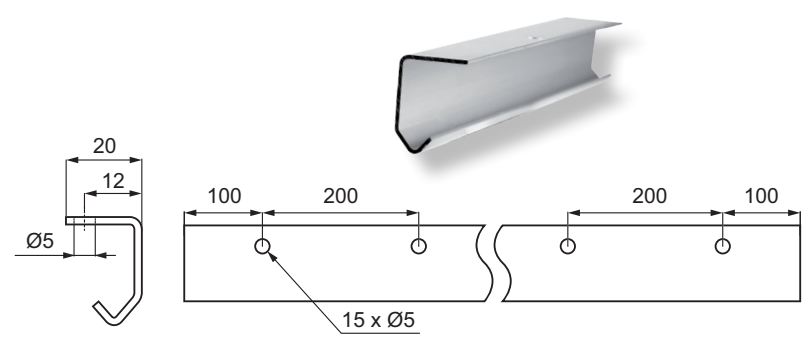
Vertical adjustment



**ALUMINIUM UPPER PROFILE**

**Finish:** Anodized

**Size:** 2 meters # 28.24.965  
3 meters # 28.24.966



# SLIDING DOOR SYSTEM KG-50

- high quality furniture fittings

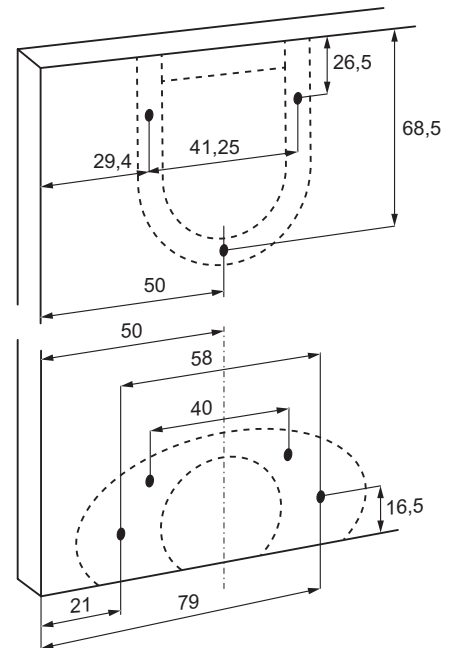
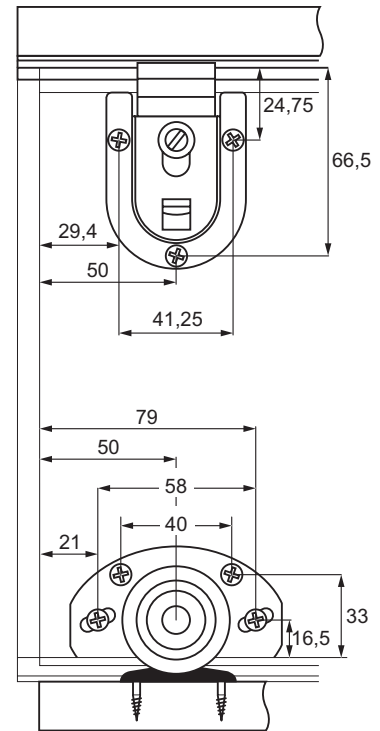
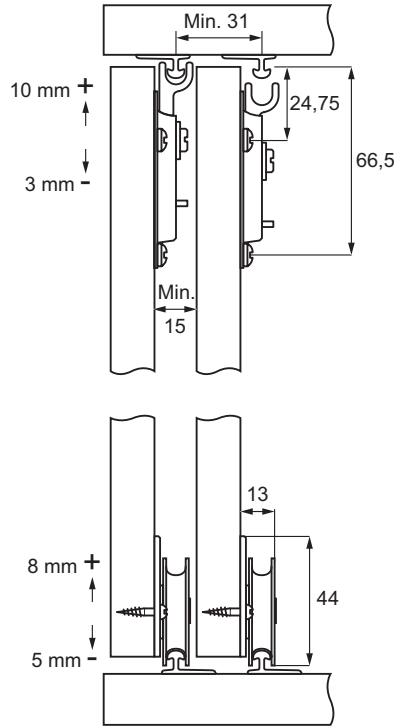


**Application:**  
For wooden sliding doors

**Specifications:**  
Vertical adjustment mechanism  
+10/-3mm & +8/-5 mm  
Min. panel thickness: 16mm  
Max. door weight: 50 kg  
Min. door gap: 15mm

**One set consists of:**  
2 wheels w/ ball bearings - black/zinc Pl.  
2 steel upper guide brackets - zinc Pl.  
1 floor guide - brown plastic  
16 fixing screws

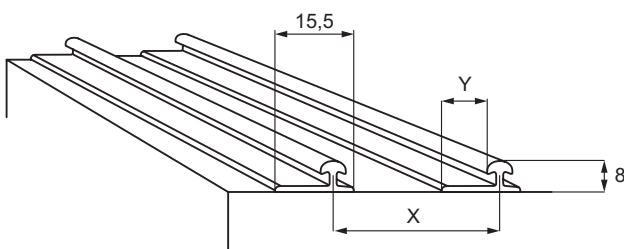
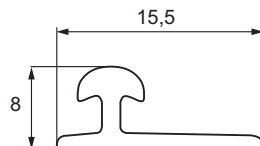
**Item No.:** # 28.25.020



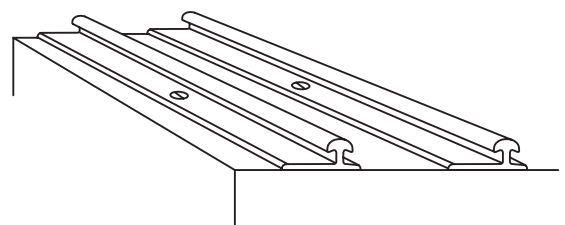
## ALUMINUM PROFILES

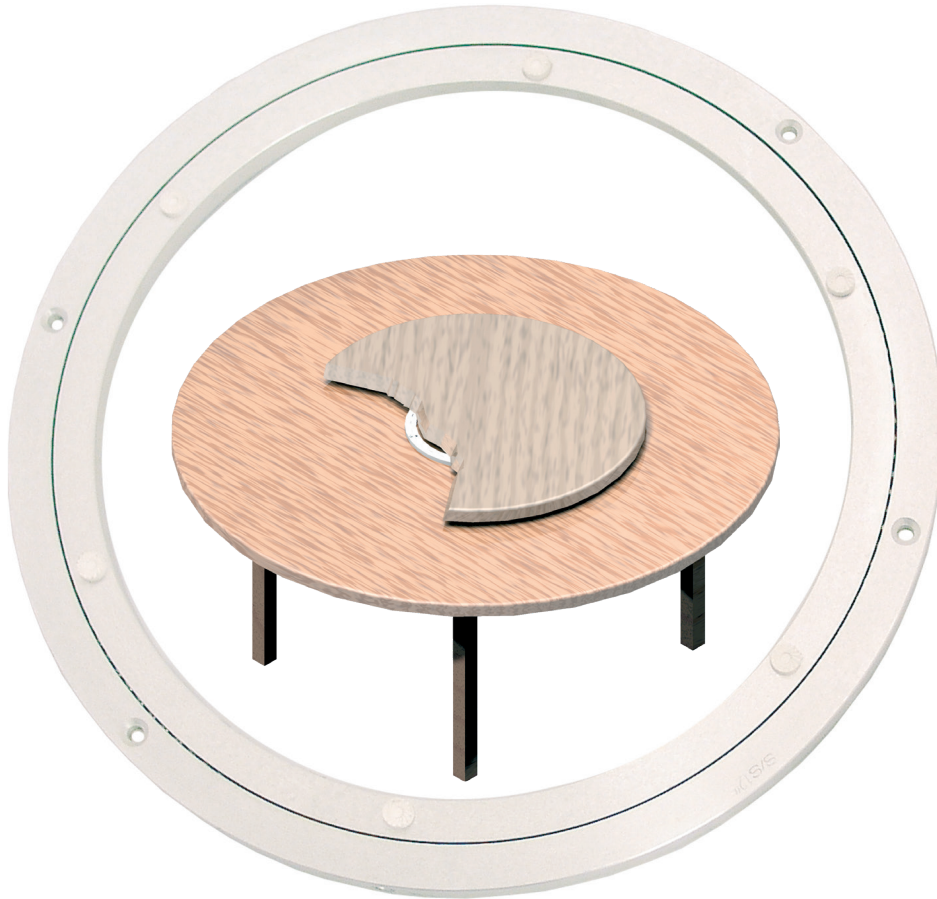
**Finish:**  
2 meters - anodized  
3 meters - anodized

**Item No.:**  
# 28.24.970  
# 28.24.971



$$X = 15 + Y$$





**LAZY SUSAN ALUMINIUM TURNTABLE**

**Material:** Ring: 1<sup>st</sup> grade aluminium, Die Cast  
 Balls: High grade stainless steel (grade 200)

**Application:** 360 Degree easy swivelling, apply to any kind of dining table, TV-stand, computer tables etc.  
 Also perfect for outdoor use when using stainless steel ball bearings.

Sizes		Item. No.:	Load Capacity	Top		Bottom	
Outer diameter	Inner diameter			Out	In	Out	In
Ø304 x 12mm	Ø247mm	# 16.15.371	50-70 kg	White rubber Ø10 x 3,3 mm	Ø5,5 mm CSK Holes	Ø5,5 mm CSK Holes	White rubber Ø10 x 3,3 mm
Ø401 x 12mm	Ø338mm	# 16.15.382	80-100 kg	6	4	4	6
Ø600 x 12mm	Ø524mm	# 16.15.395	170-190 kg	6	4	4	6
				8	4	4	8

# SWIVEL PLATE – PLASTIC - Ø280 MM

- high quality furniture fittings

**Material:**

Plastic - black

**Size:**

Swivel: Ø280 mm

Knock-in bushing: Ø10 x 12 x M6

Bolt: M6 x 25 mm

Load capacity: 100 kg

**Finish:**

Swivel plate

Bushing

Bolt

**Item No.:**

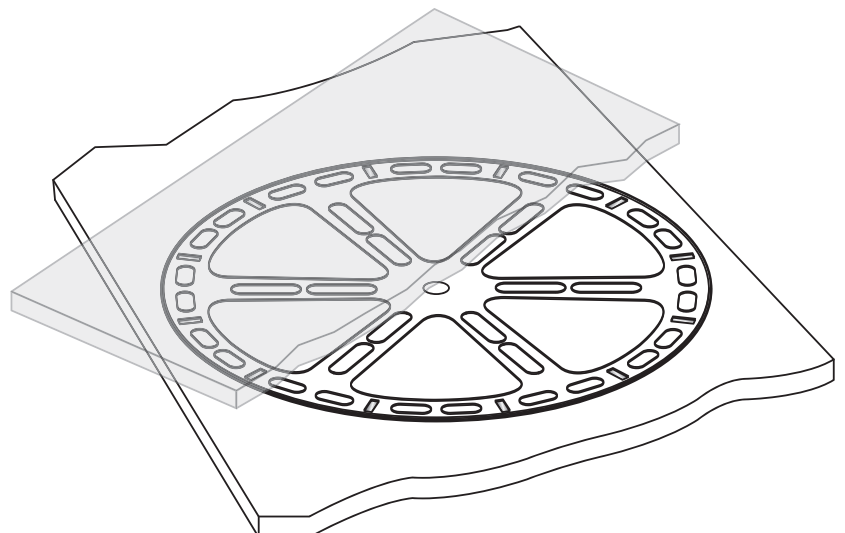
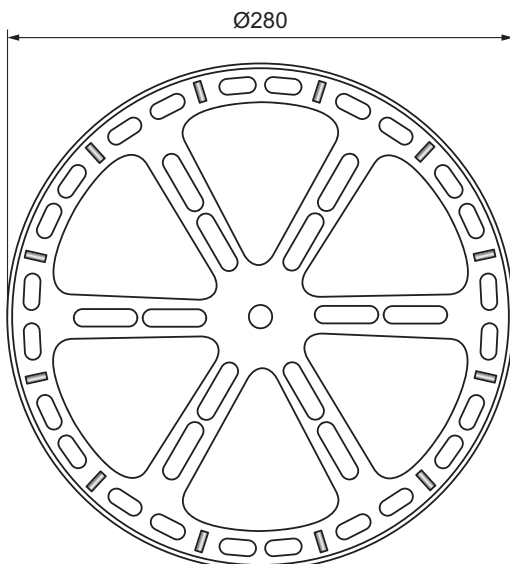
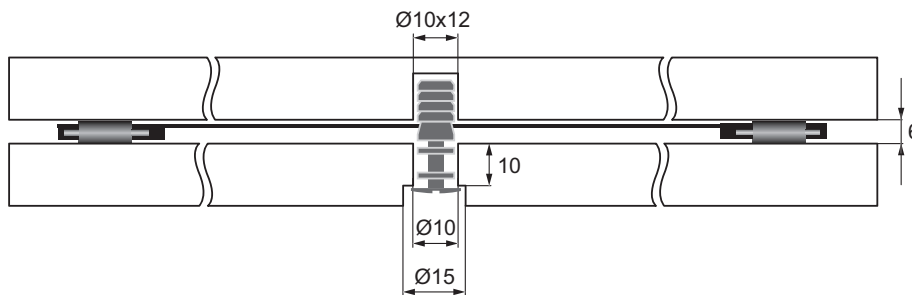
# 16.15.250

# 16.15.235

# 16.15.230



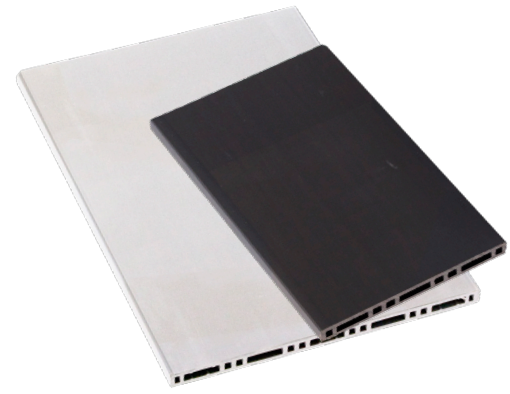
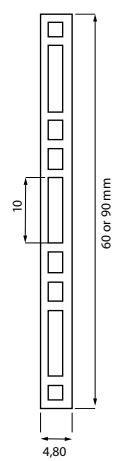
Bushing & bolt to be ordered separately.



# DRAWER DIVIDERS

## DRAWER DIVIDERS - PLAIN

Material	Size/mm	Color	Item No.
PVC	2000 x 60	White	16.01.100
PVC	2000 x 60	Dark Grey	16.01.105
PVC	2000 x 90	White	16.01.110
PVC	2000 x 90	Dark Grey	16.01.115



Drawer dividers

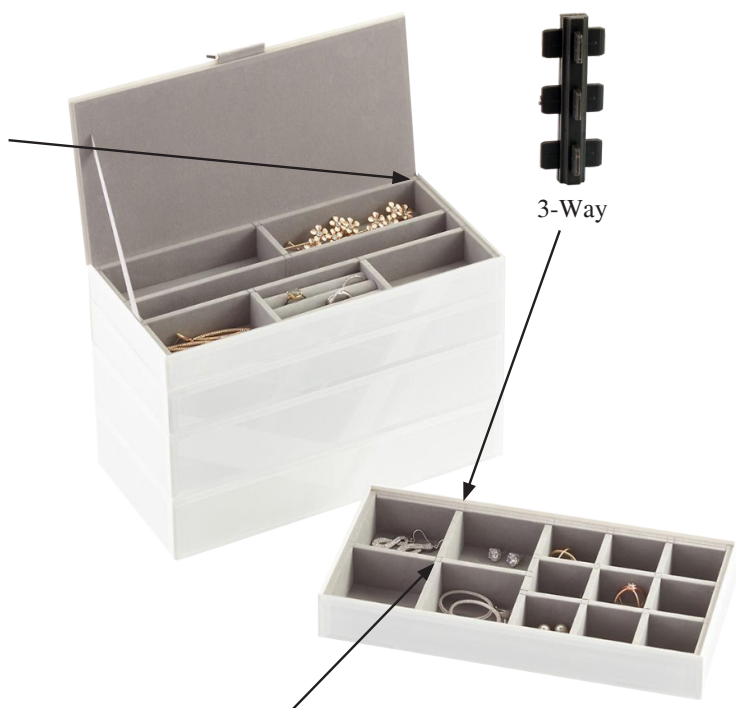
## DRAWER DIVIDER CONNECTORS - PLAIN

Model	Size/mm	Color	Item No.
2-Way	60	White	16.01.130
2-Way	60	Dark Grey	16.01.132
3-Way	60	White	16.01.134
3-Way	60	Dark Grey	16.01.136
4-Way	60	White	16.01.138
4-Way	60	Dark Grey	16.01.140
2-Way	90	White	16.01.142
2-Way	90	Dark Grey	16.01.144
3-Way	90	White	16.01.146
3-Way	90	Dark Grey	16.01.148
4-Way	90	White	16.01.150
4-Way	90	Dark Grey	16.01.152

2-Way



3-Way



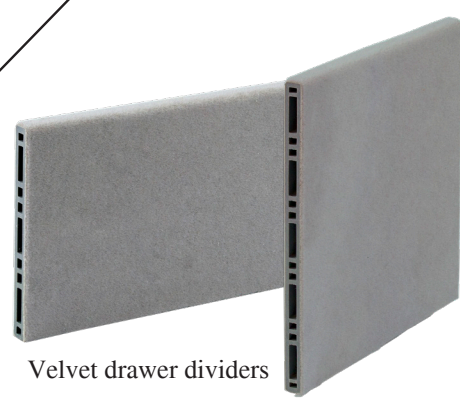
## DRAWER DIVIDER WITH GREY VELVET

Material	Size/mm	Color	Item No.
PVC	2000 x 60	Grey Velvet	16.01.106
PVC	2000 x 90	Grey Velvet	16.01.116

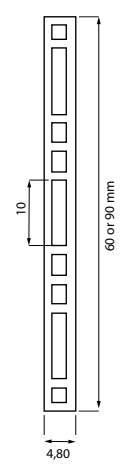
## DRAWER DIVIDER CONNECTORS WITH GREY VELVET

Model	Size/mm	Color	Item No.
2-Way	60	Grey Velvet	16.01.154
2-Way	90	Grey Velvet	16.01.160
3-Way	60	Grey Velvet	16.01.156
3-Way	90	Grey Velvet	16.01.162
4-Way	60	Grey Velvet	16.01.158
4-Way	90	Grey Velvet	16.01.164

4-Way



Velvet drawer dividers





## JEWELRY RING SLOT F/60 mm DRAWER DIVIDER

Material:	Grey Velvet / black foam
Size (6 rows):	120 x 100 x 50 mm
For drawer divider size:	60 mm
Item No.:	#16.01.170



## JEWELRY RING SLOT F/90 mm DRAWER DIVIDER

Material:	Grey Velvet / black foam
Size (12 rows):	200 x 150 x 80 mm
For drawer divider size:	90 mm
Item No.:	#16.01.172



## JEWELRY PILLOW

Material:	Grey Velvet
Size:	66 x 52 x 75 mm
Item No.:	#16.01.174



## ANTI-SLIP FELT, SELF-ADHESIVE

Material:	Grey Velvet
Size:	1,50 x 10 mtr.
Thickness:	0,5 mm
Item No.:	#16.01.178









*- high quality furniture fittings*

**SISO A/S**

Mileparken 11 Phone: (+45) 45 830 900  
DK - 2740 Skovlunde (Copenhagen) Fax: (+45) 45 830 444  
Denmark E-mail: [siso@siso.dk](mailto:siso@siso.dk) Web: [www.siso.dk](http://www.siso.dk)